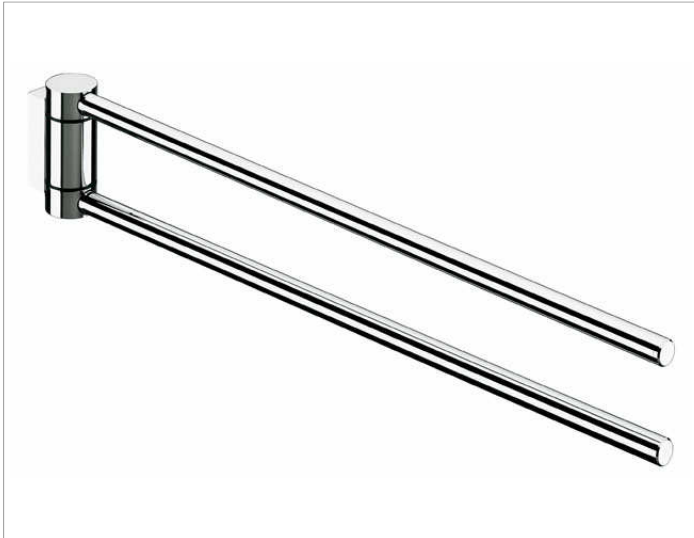
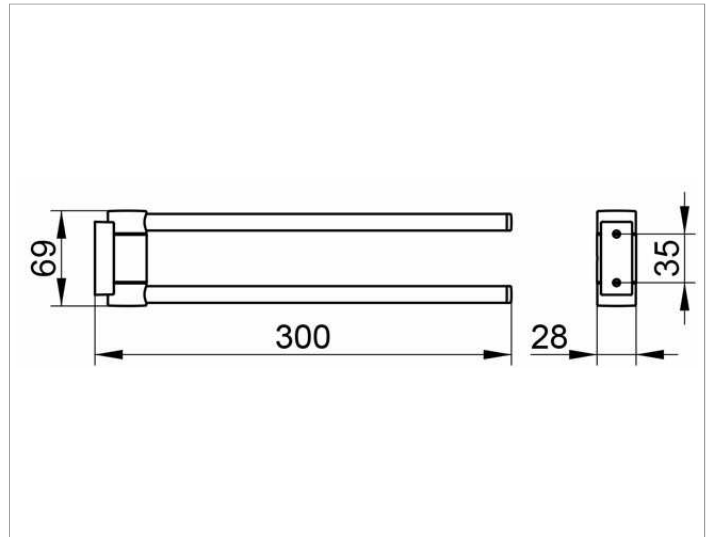


**Plan**  
**14919010000 Porte-serviettes**

## PRODUIT



## DESSIN



## CARACTÉRISTIQUES DU PRODUIT

à 2 bras, pivotant

## SURFACE

chromé

## DIMENSION

300 mm

## SPÉCIFICATIONS

KEUCO PLAN towel holder 14919010000

Chrome-plated towel holder in a stylish yet functional design

Two stacked, independent laterally swiveling arms

Anti static, easy to clean,

Projection: 11-13/16"

The towel holder is fitted with two hidden fixing points  
incl. corrosion-free mounting material