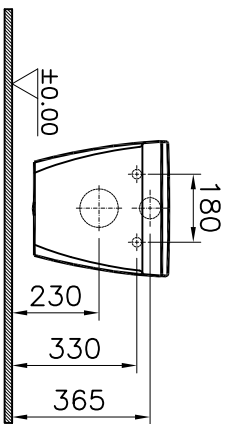
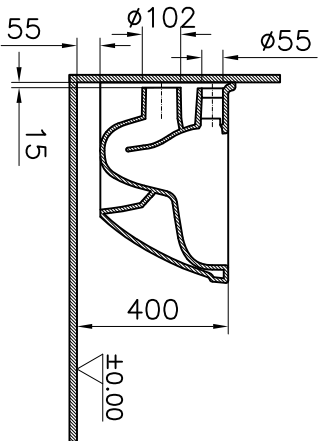
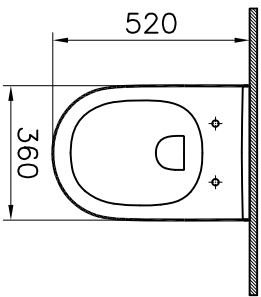


Theoretic Mass(kg)	Revision
Surface Area(dm <sup>2</sup> )	<b>A4</b>

Thread	Hole	Shaft
--------	------	-------



Item	Quantity	Part Name	Series	Material	Drawing No	Material	Material Class
1	1	Wall-hung WC pan			7740-0075	Ceramic	
		<small>This drawing can only be used for the intended purpose. Unauthorised copying is strictly prohibited.</small>		Wall-hung WC pan			

Drawn By	Controlled By	Approved By	Date	Drawing No	Scale
G.SULGER	H.TURKOZ	S.YENI SARISOL	10.11.2014	7740	1/20
Date	NAME				
RS	Description				

**Vitra** | **ARTEMIA**