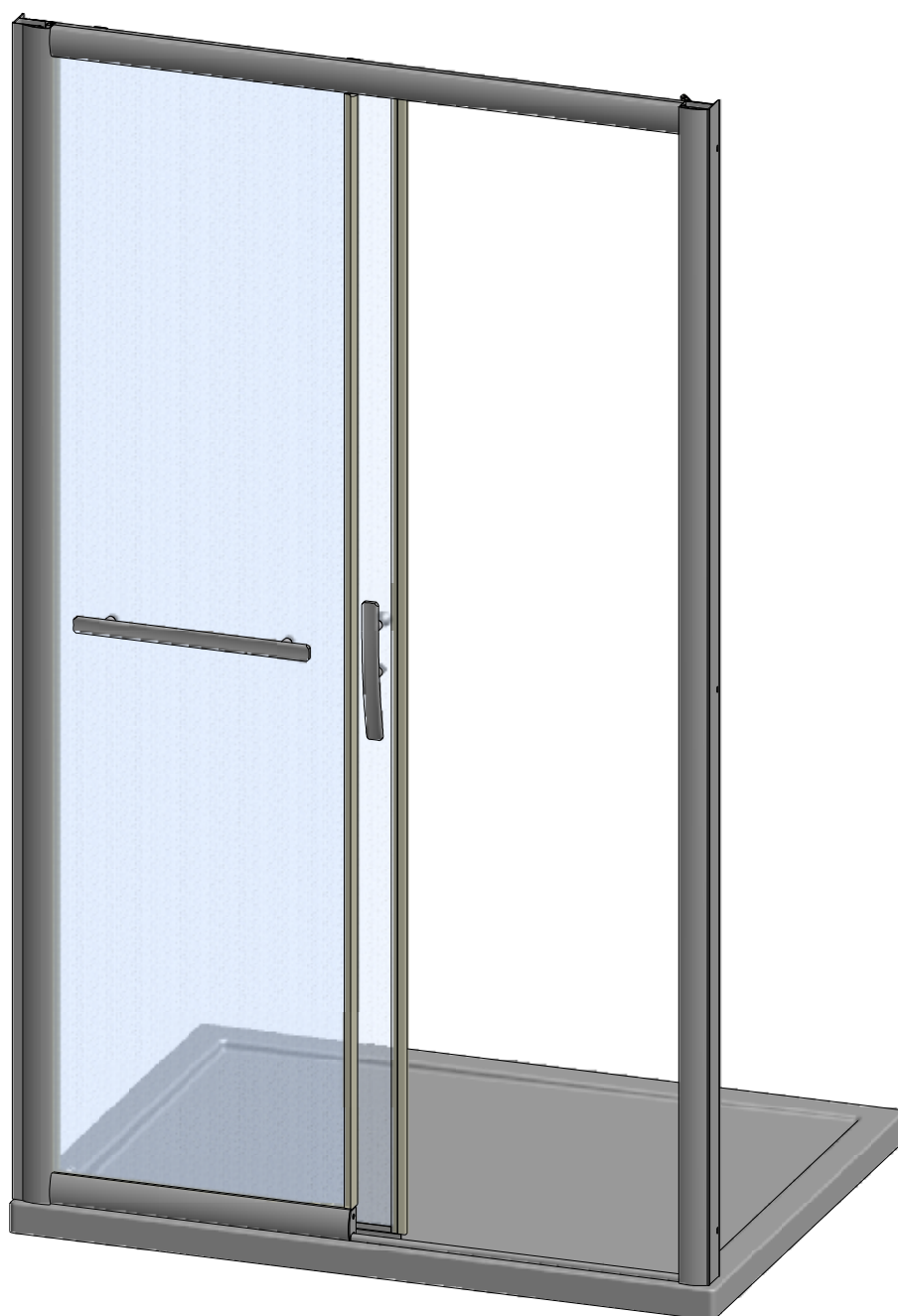


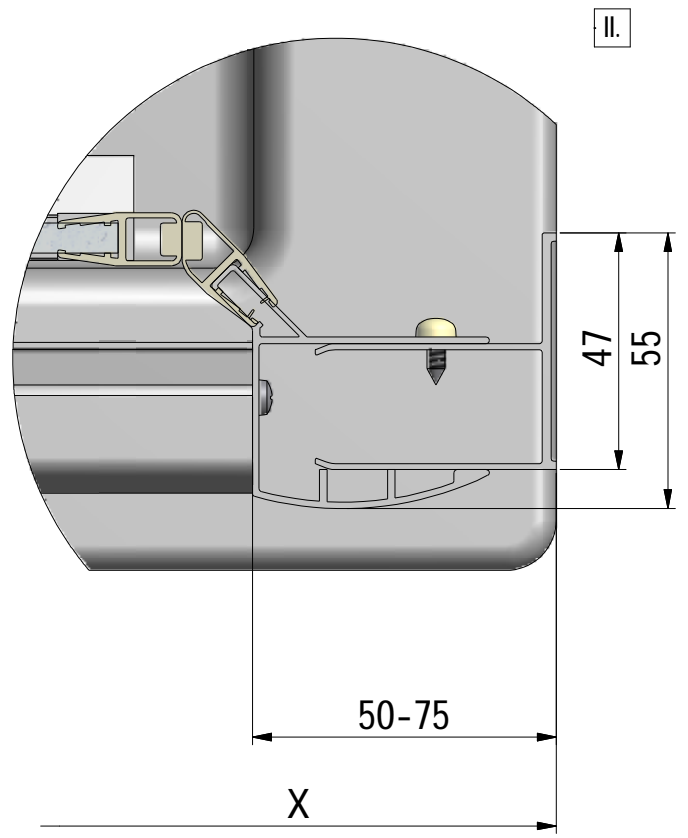
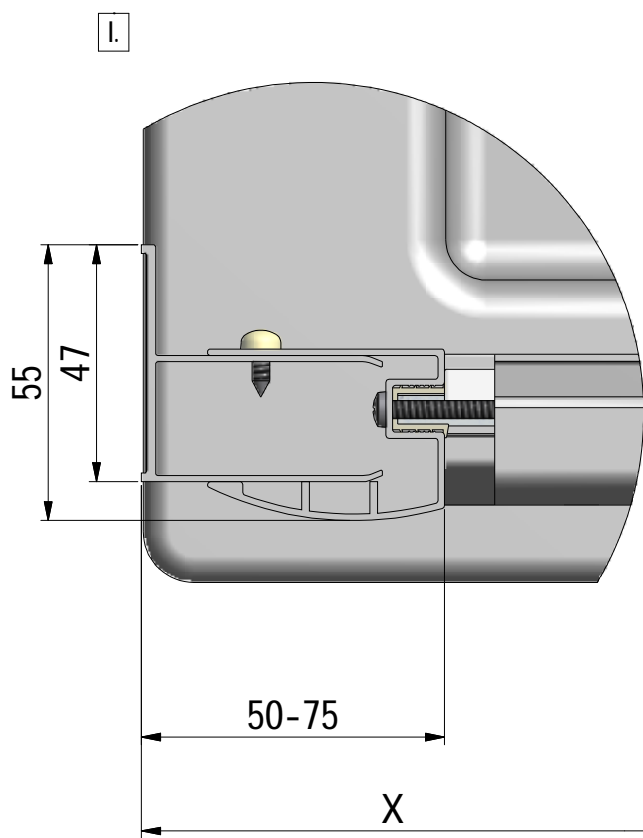
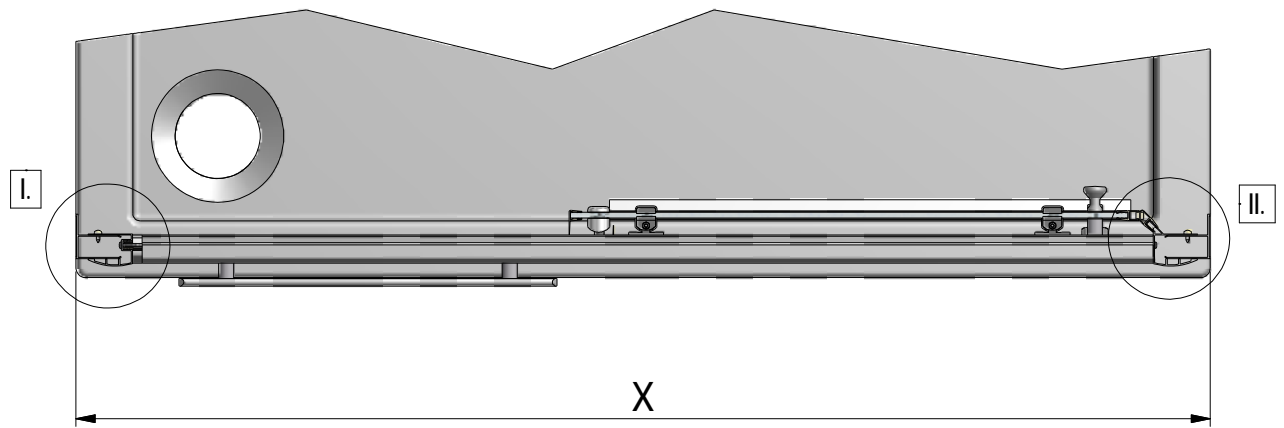
DE Montageanleitung
FR Notice de montage
GB Installation instructions



EQUI



EI D2L (D2R) -2015/30/11
Rev.:03
MA2546



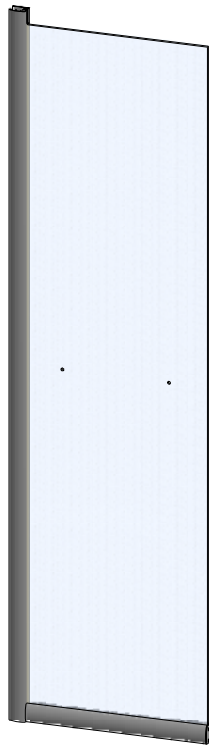
| EI D2L(R) | | |
|-----------|------------|------------|
| | X MIN (mm) | X MAX (mm) |
| 1000 | 970 | 1020 |
| 1100 | 1070 | 1120 |
| 1200 | 1170 | 1220 |
| 1300 | 1270 | 1320 |
| 1400 | 1370 | 1420 |
| 1500 | 1470 | 1520 |
| 1600 | 1570 | 1620 |

Zuberhör mit Seitenwand EI D2L
 Accessoires avec EI D2L
 Fittings with side panel EI D2L

EI D2L



1. 1x



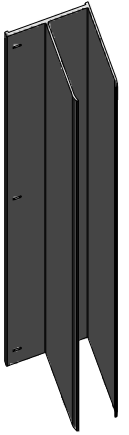
2. 1x



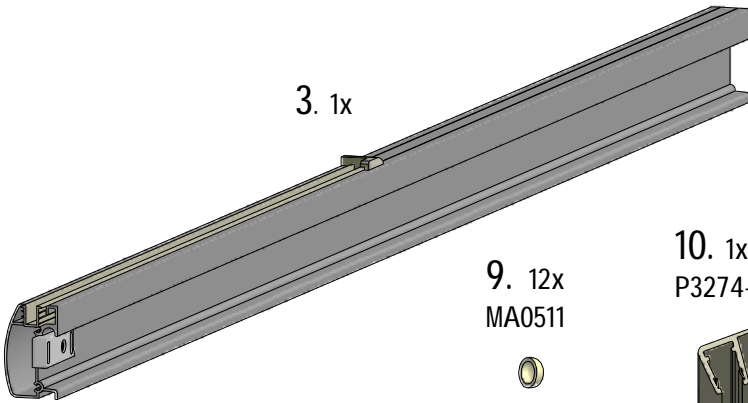
5. 1x
P3170



6. 2x
P2860



3. 1x



4. 4x
M0794
3,5x32



7. 6x
M0511
n6



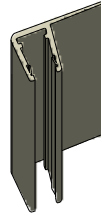
8. 6x
M0795
3,5x38



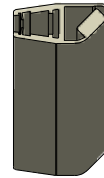
9. 12x
MA0511



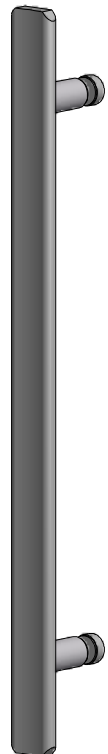
10. 1x+1x
P3274+P3275



11. 1x
MA0853



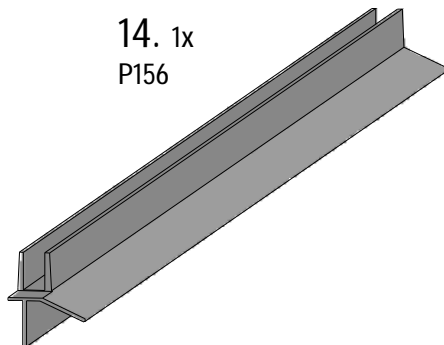
12. 1x
M9035



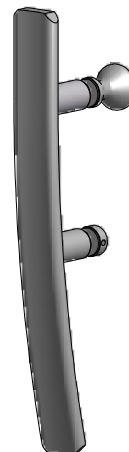
13. 1x
P3276



14. 1x
P156



15. 1x
M8824



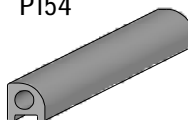
16. 1x
M0838
n2,8



17. 6x
M0806
n3,5x9,5



18. 1x
P154

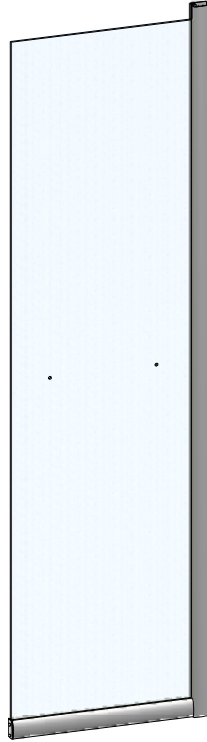


Zuberhör mit Seitenwand EI D2R
 Accessoires avec EI D2R
 Fittings with side panel EI D2R

EI D2R



1. 1x



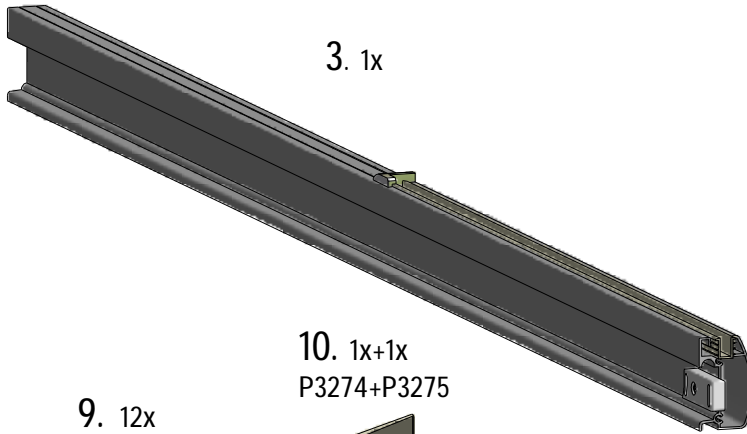
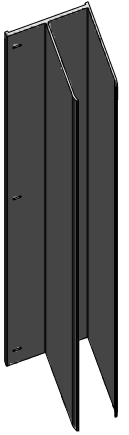
2. 1x



5. 1x
P3171



6. 2x
P2860



3. 1x

4. 4x
M0794
3,5x32



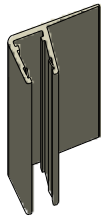
7. 6x
M0511
n6



8. 6x
M0795
3,5x38



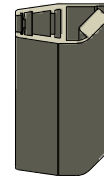
10. 1x+1x
P3274+P3275



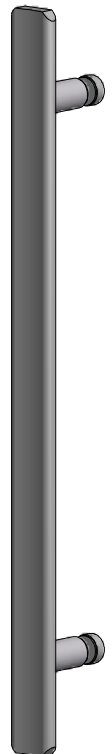
9. 12x
MA0511



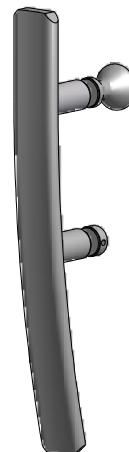
11. 1x
MA0853



12. 1x
M9035



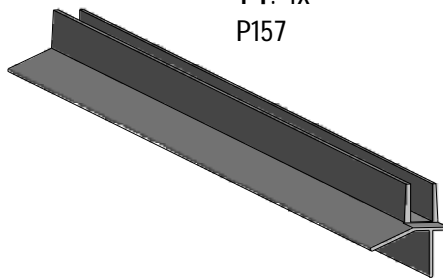
15. 1x
M8824



13. 1x
P3276



14. 1x
P157



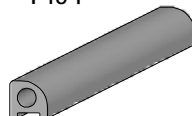
16. 1x
M0838
n2,8

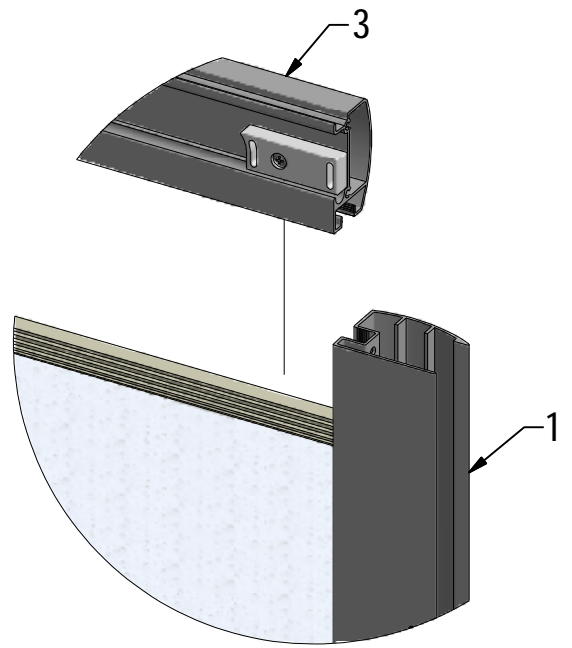
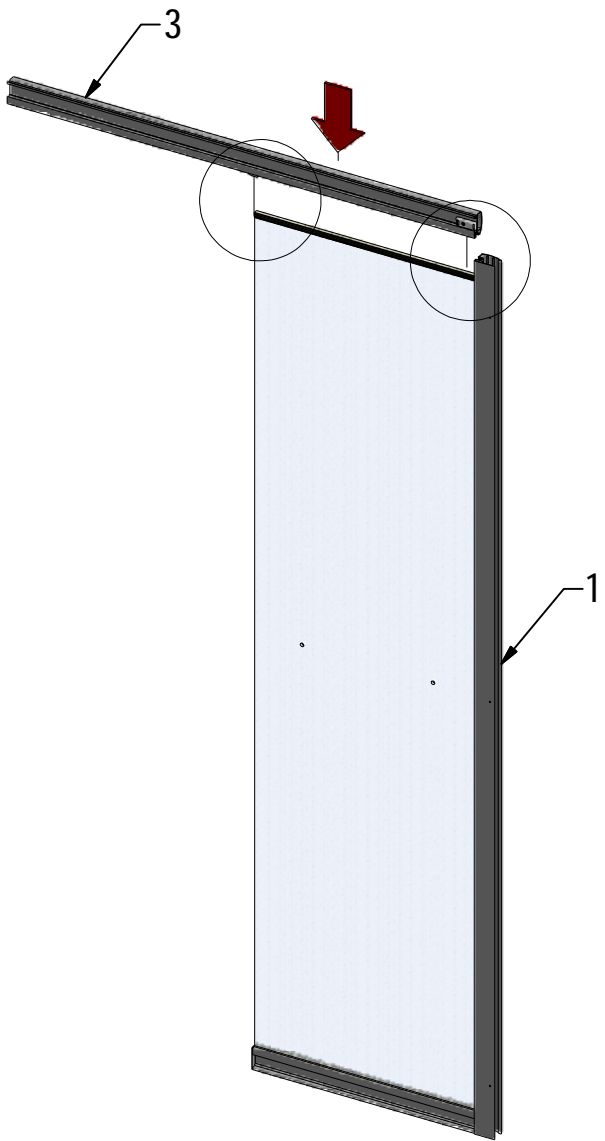


17. 6x
M0806
n3,5x9,5

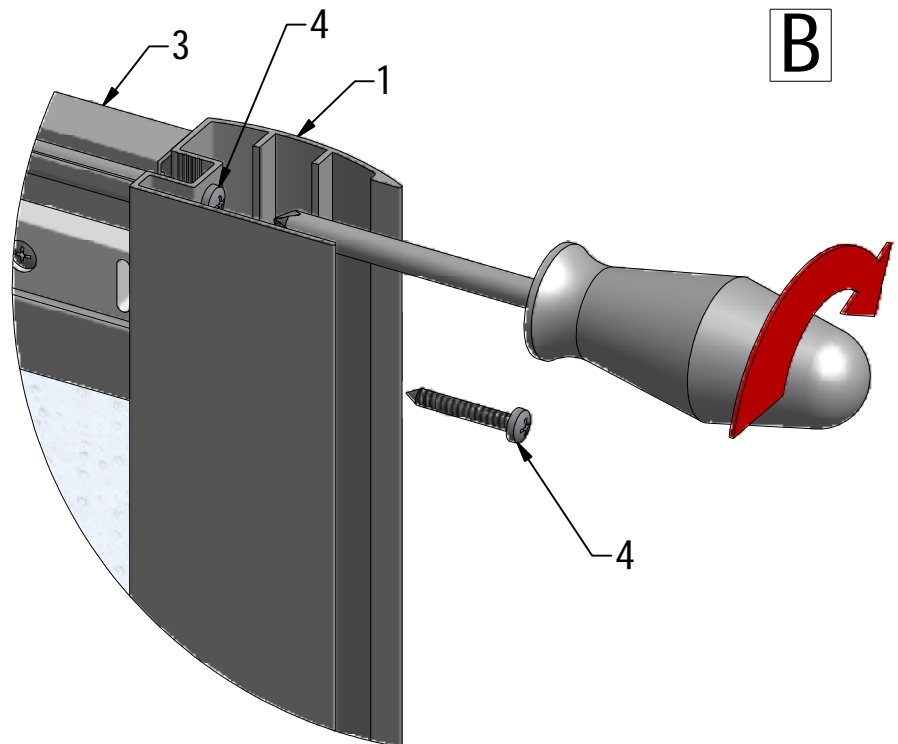
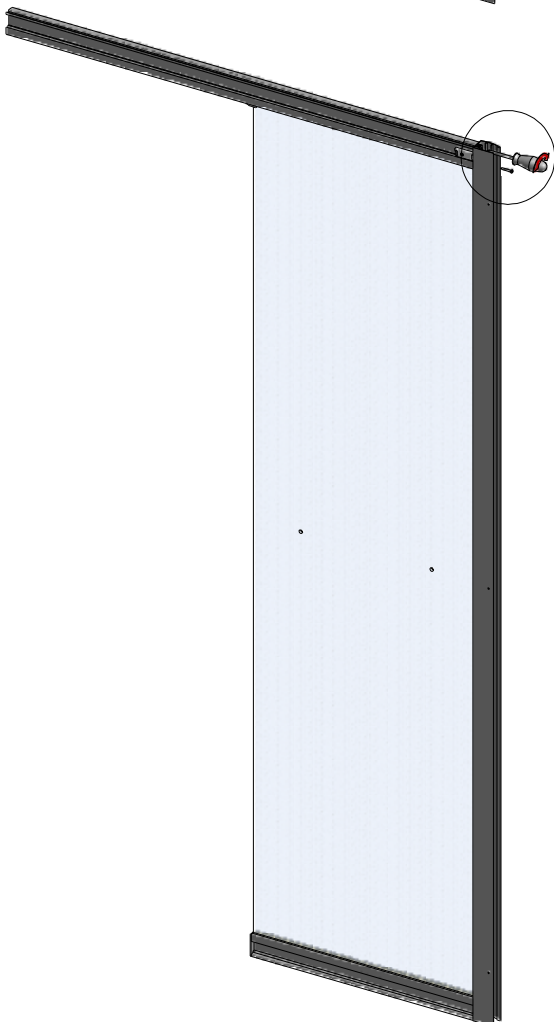
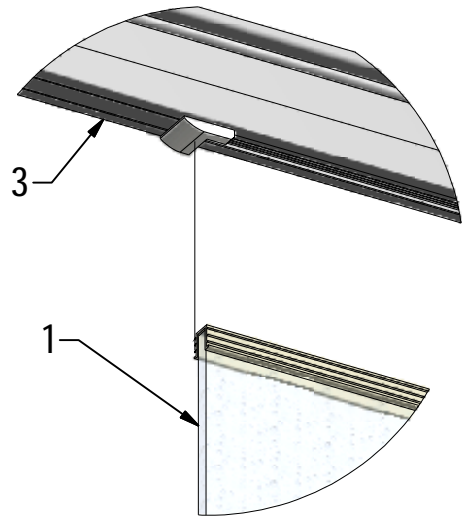


18. 1x
P154

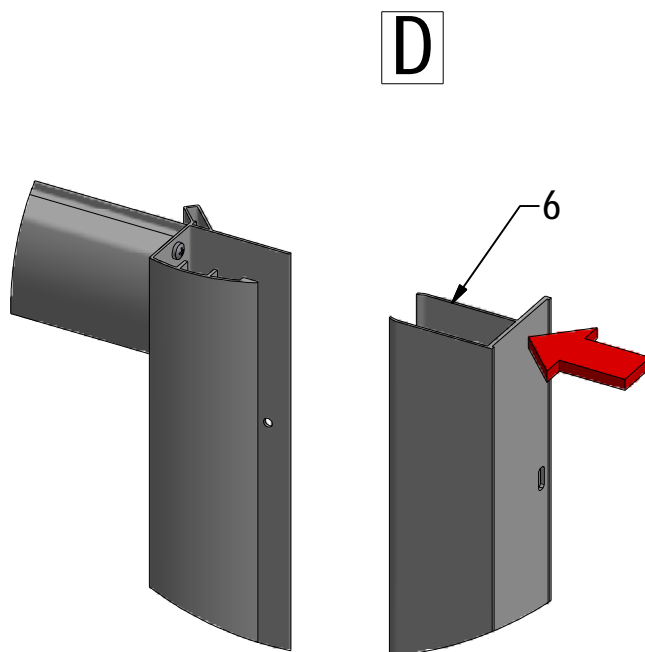
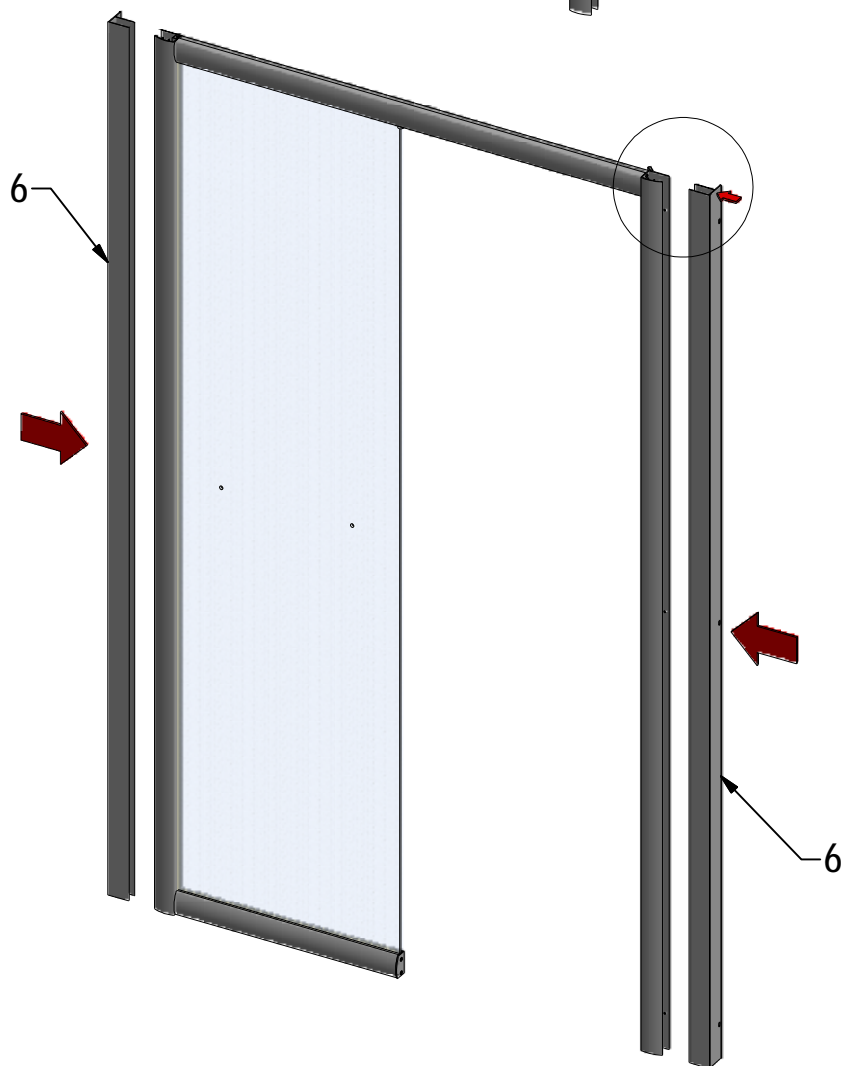
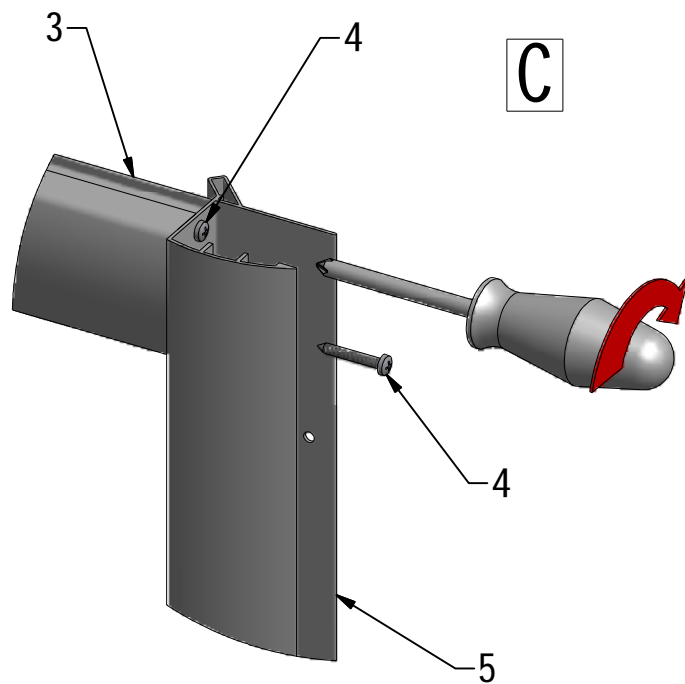
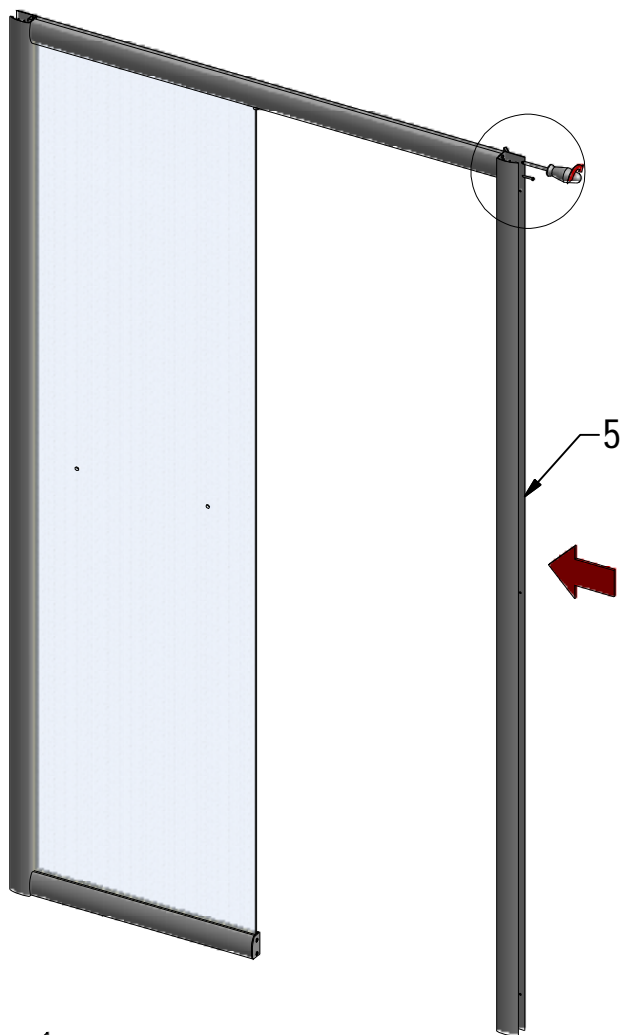


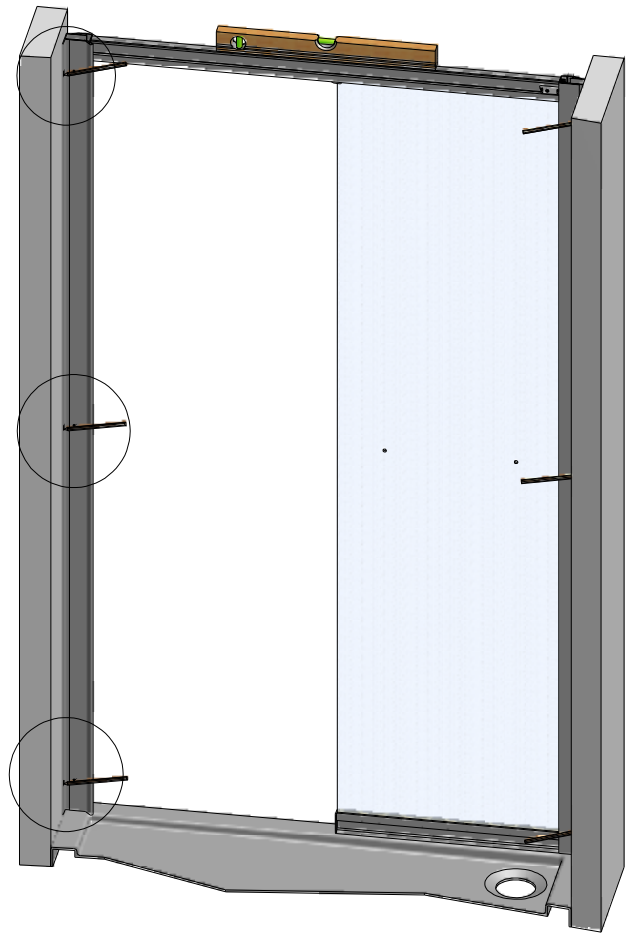
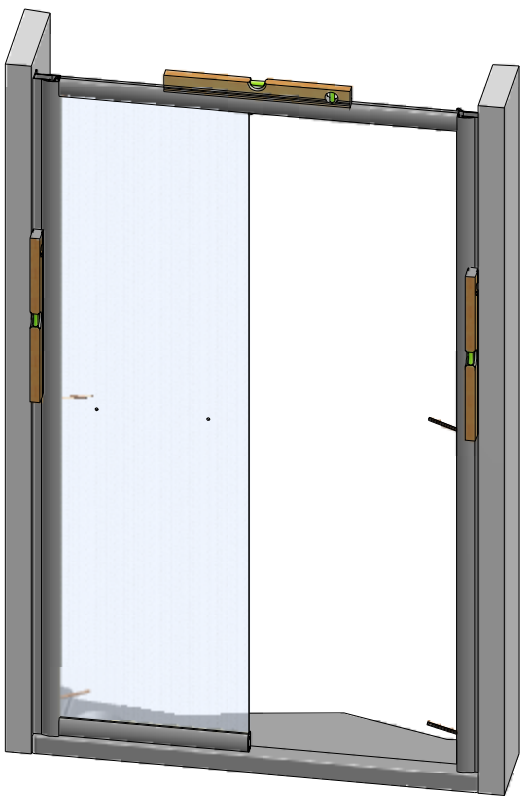


A

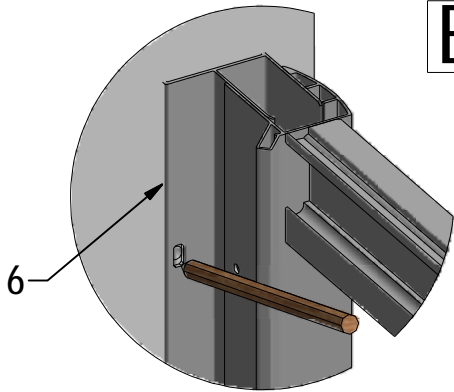


B

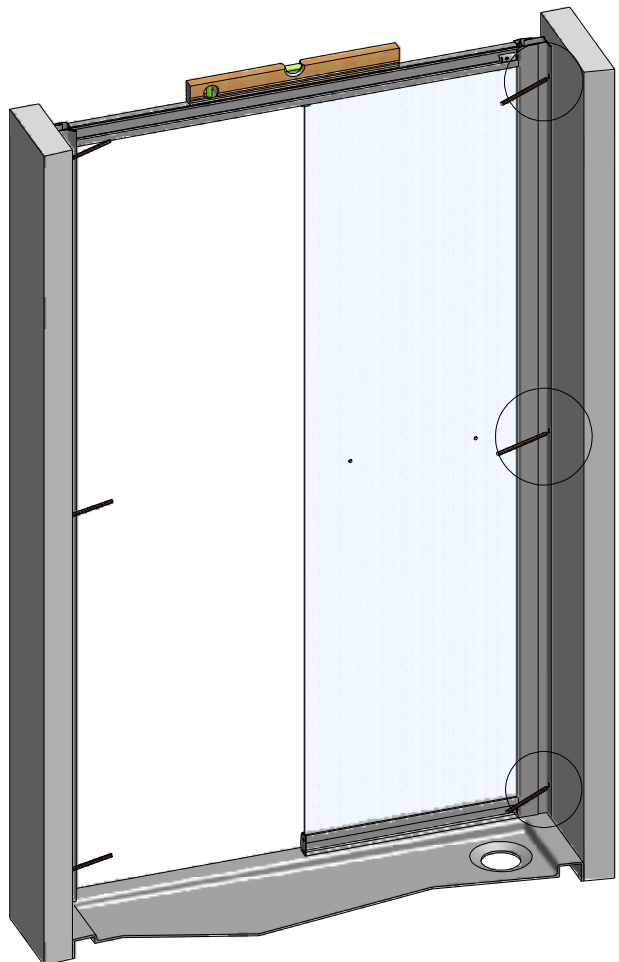
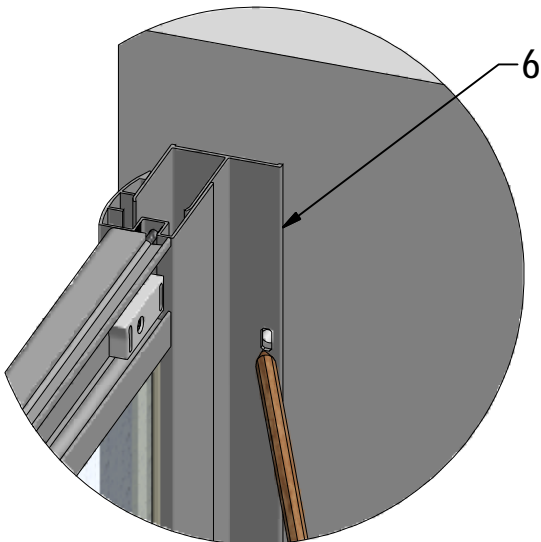




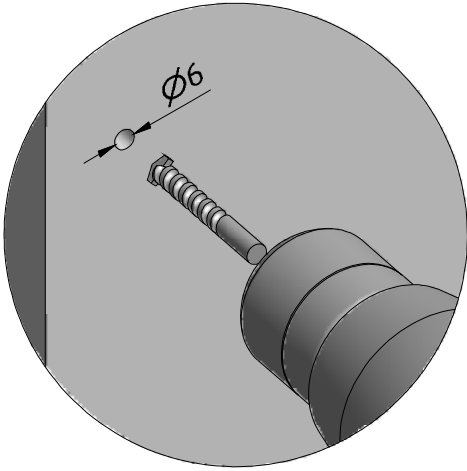
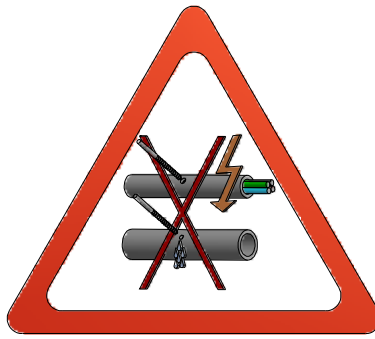
E 3x



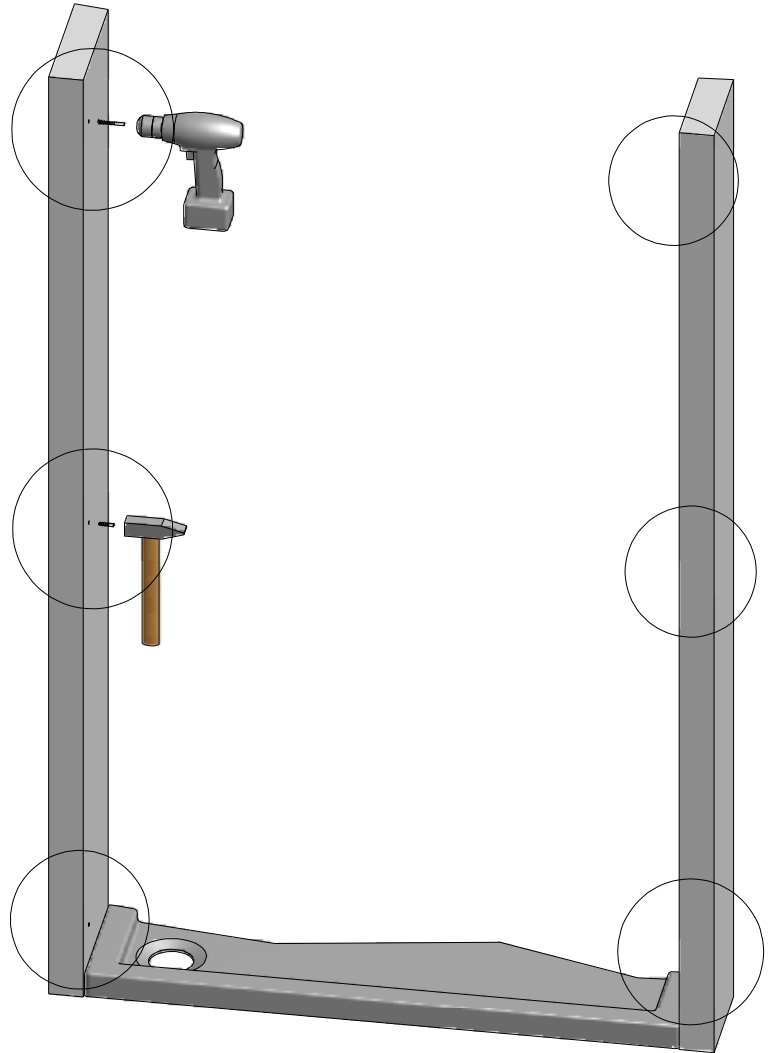
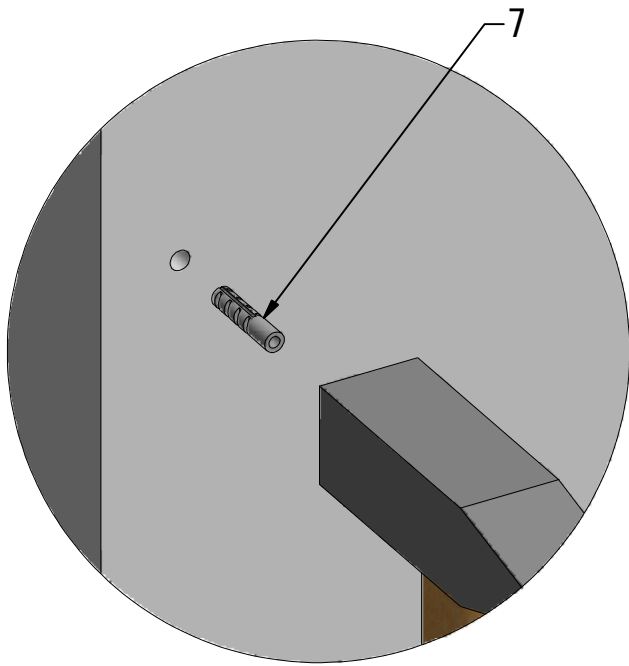
F 3x



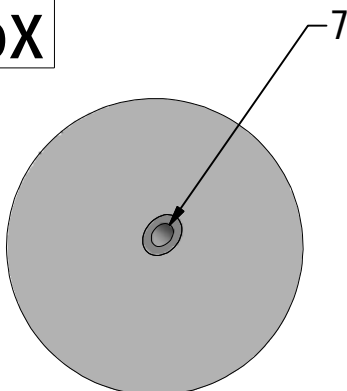
G 6x



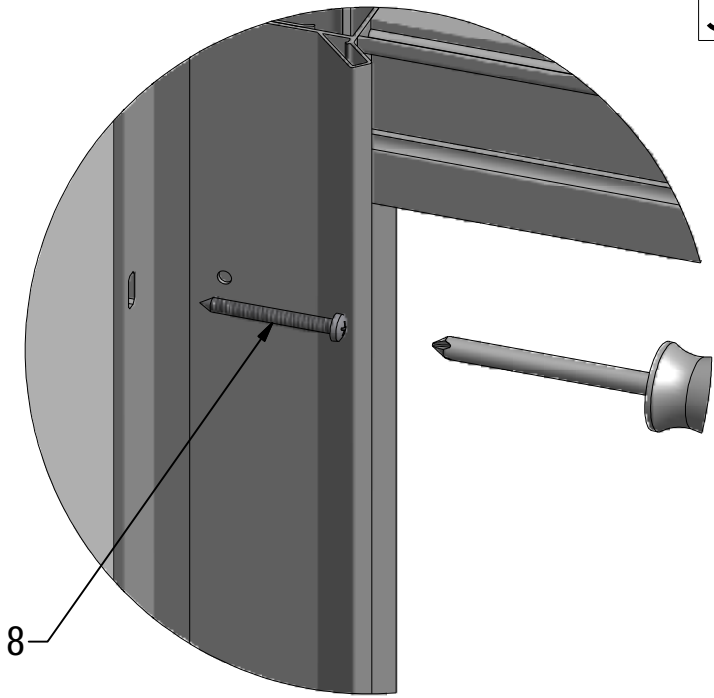
H 6x



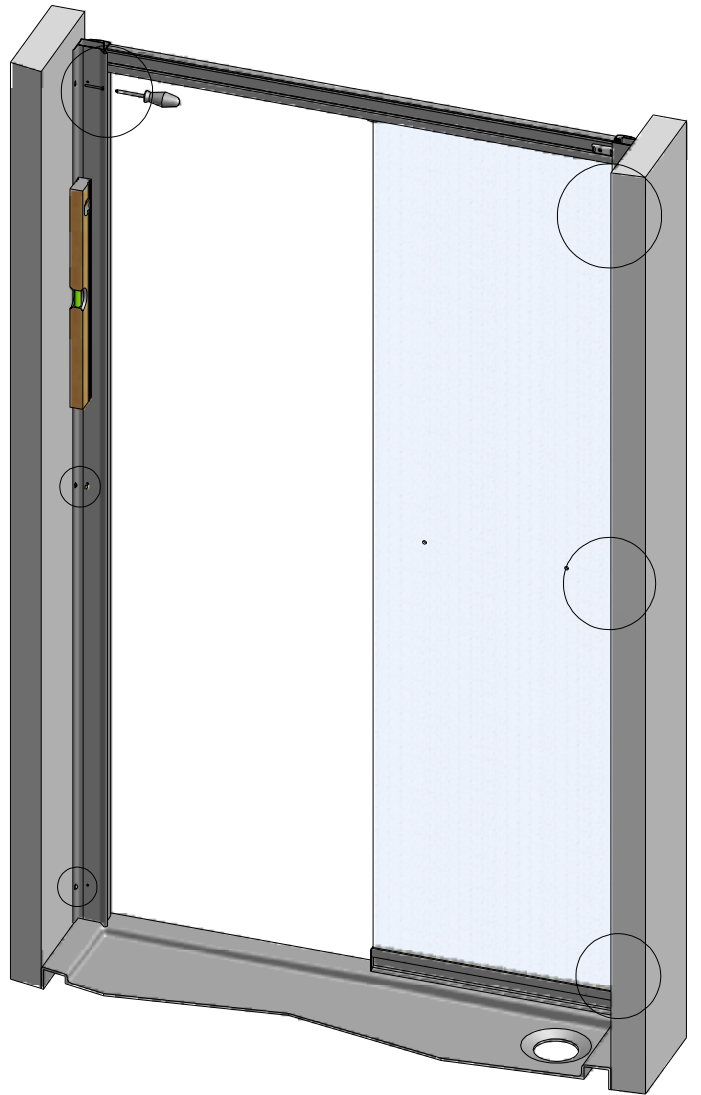
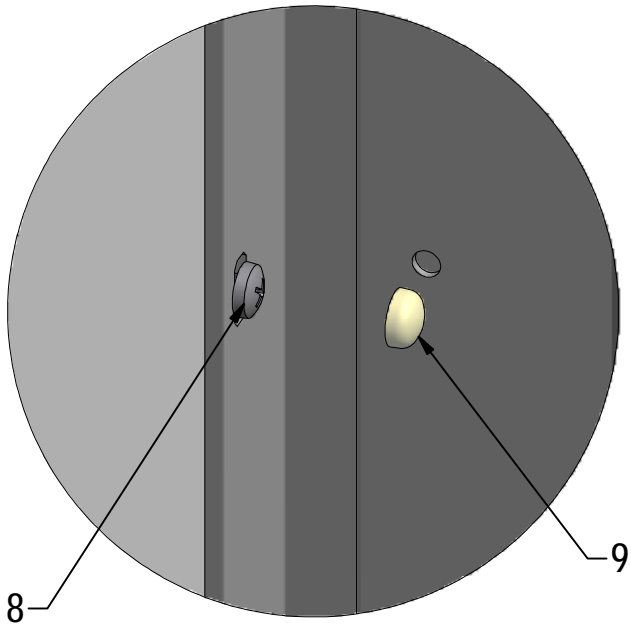
I 6x



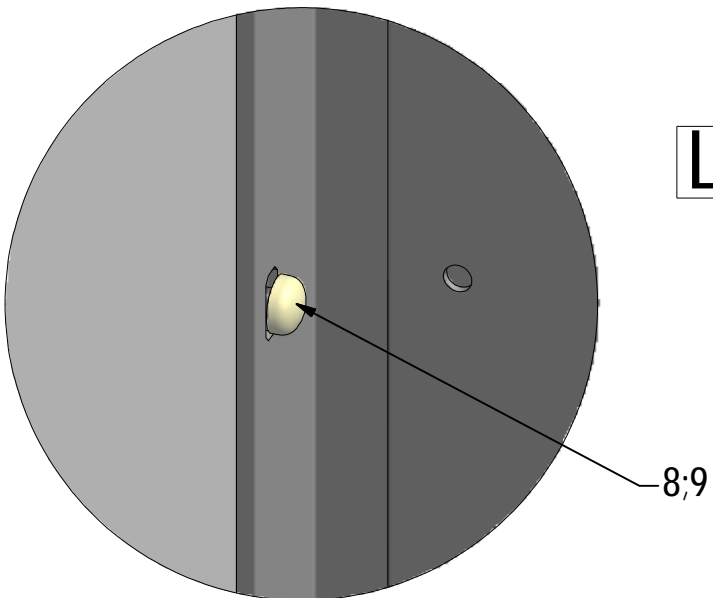
J 6x



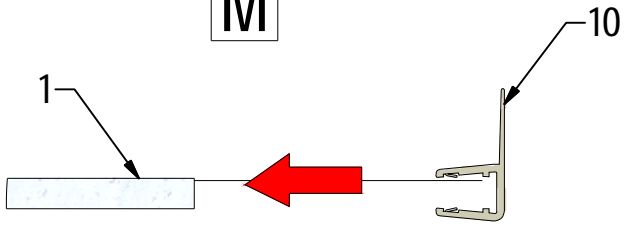
K 6x



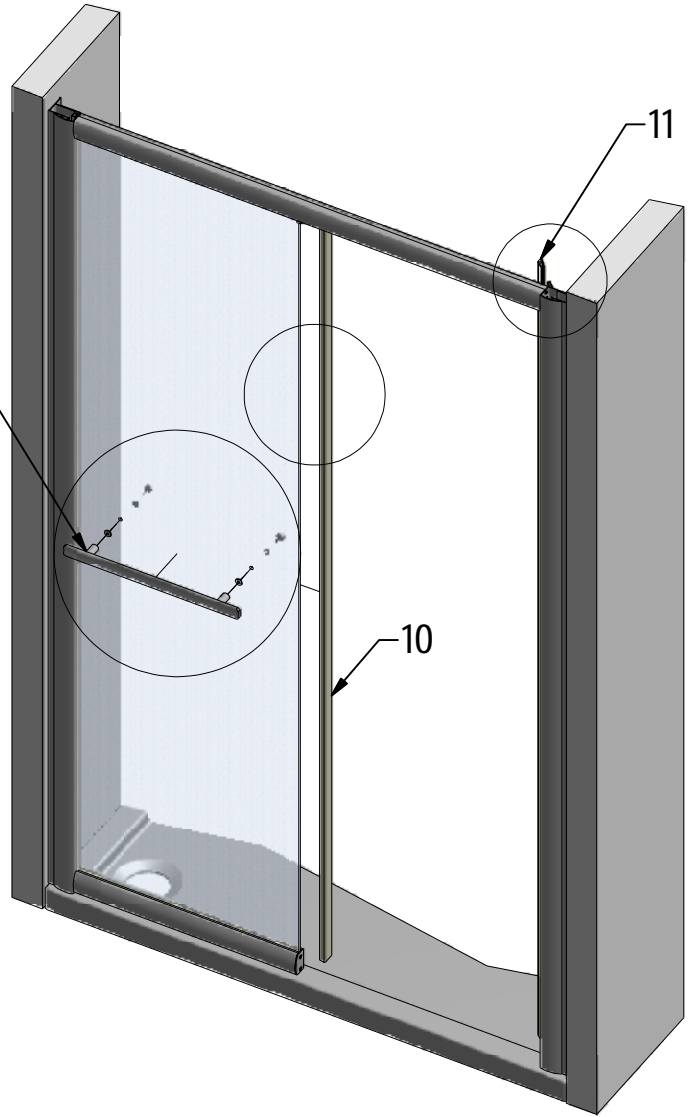
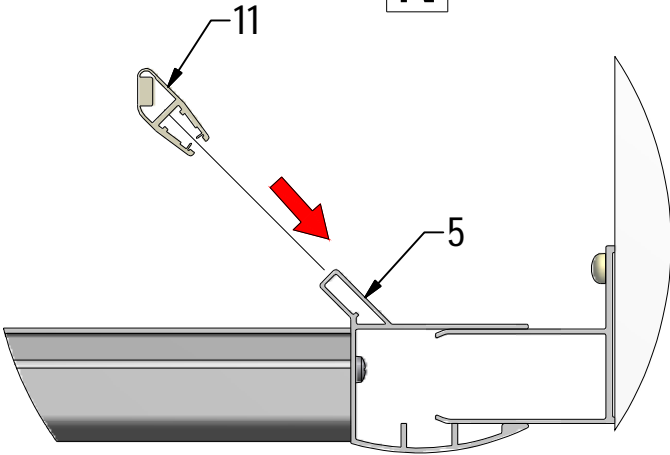
L 6x



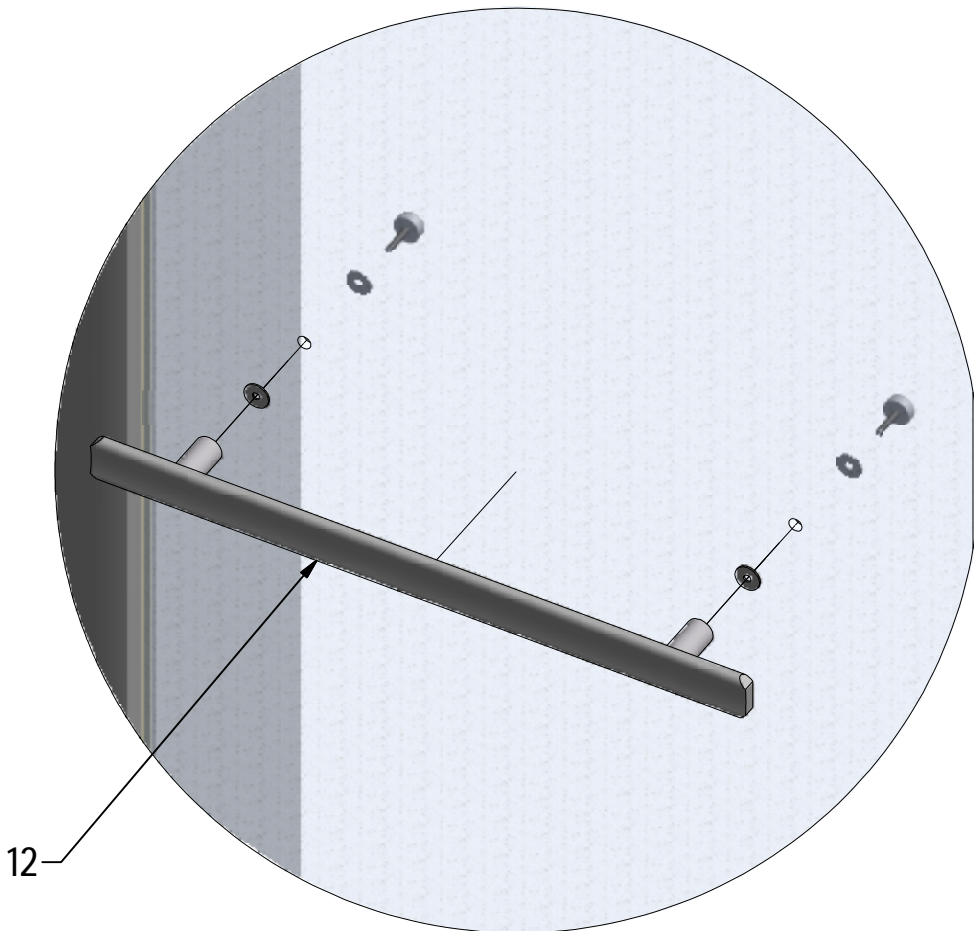
M



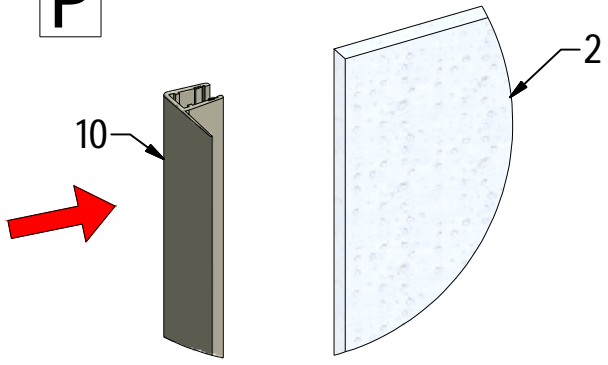
N



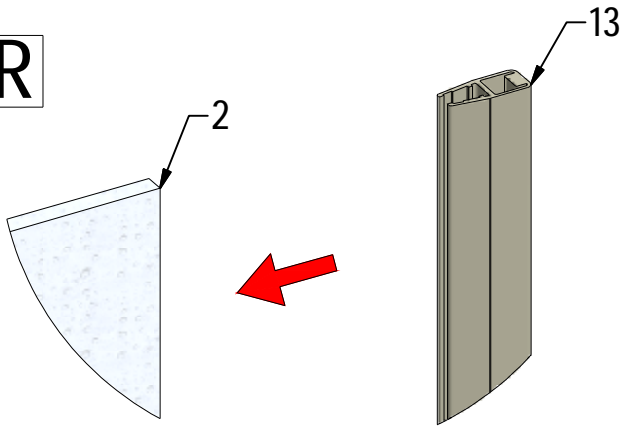
O



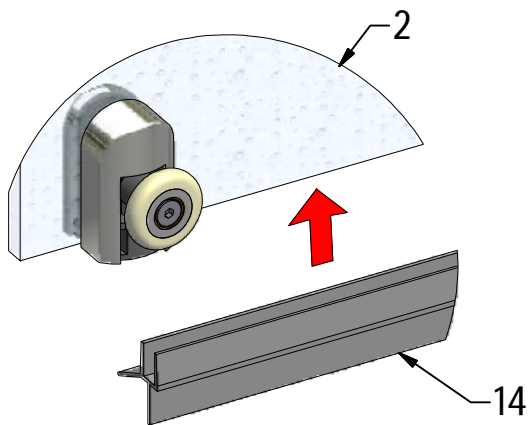
P



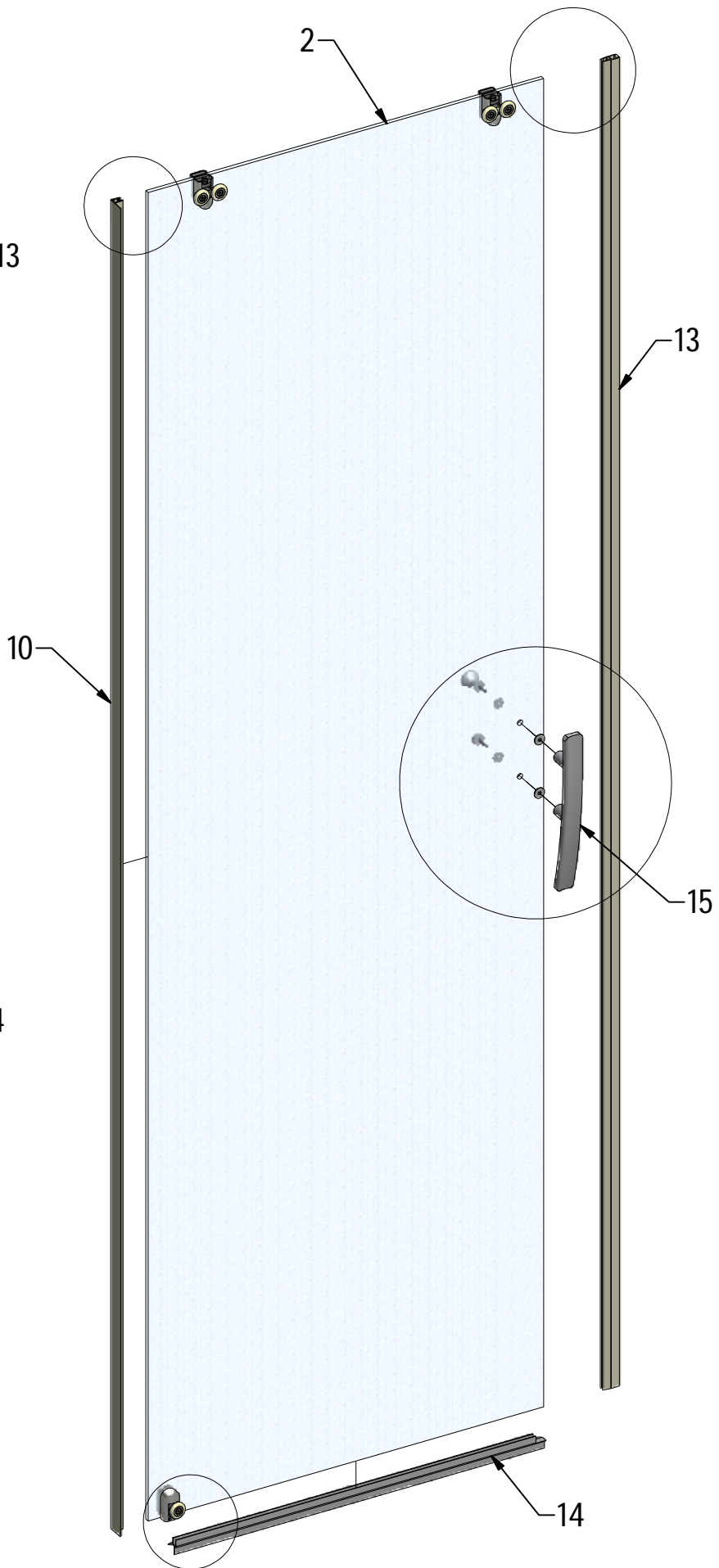
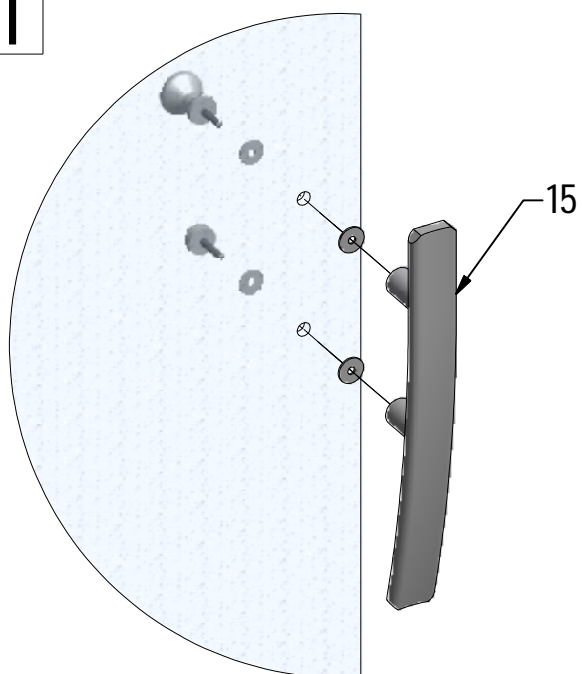
R



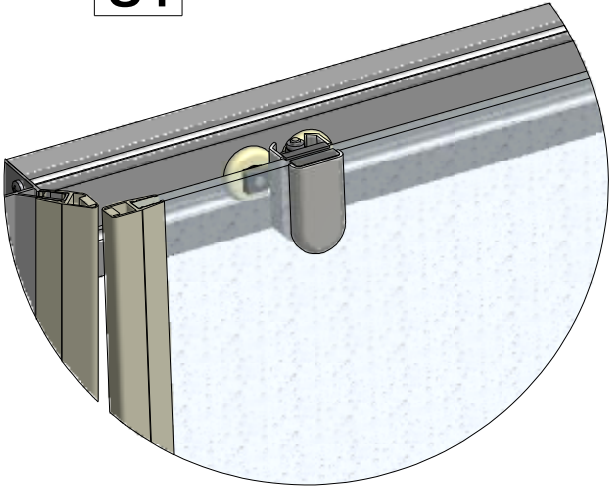
S



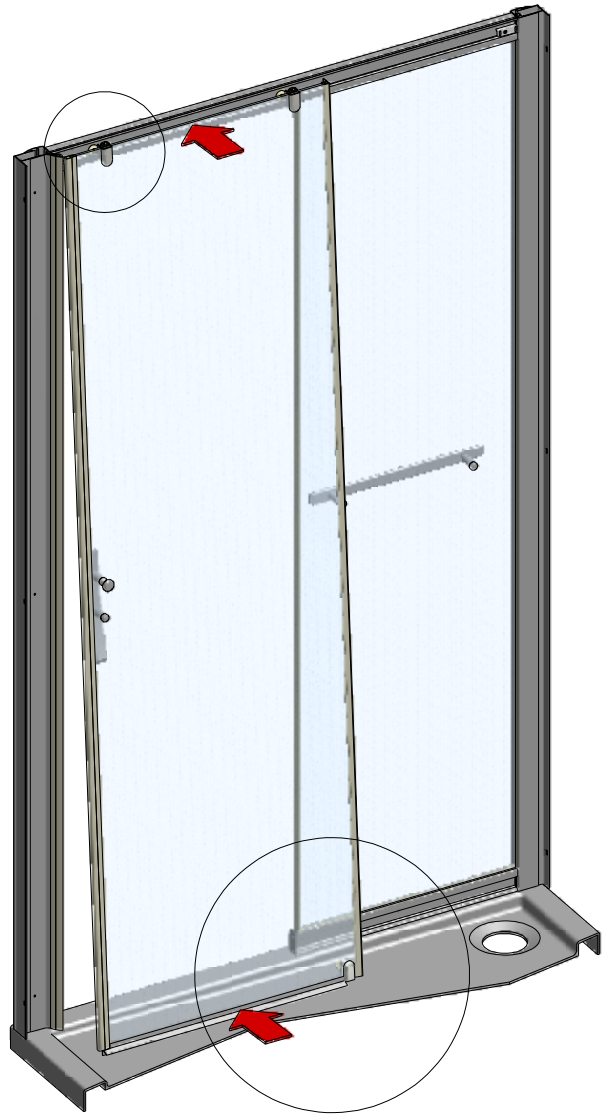
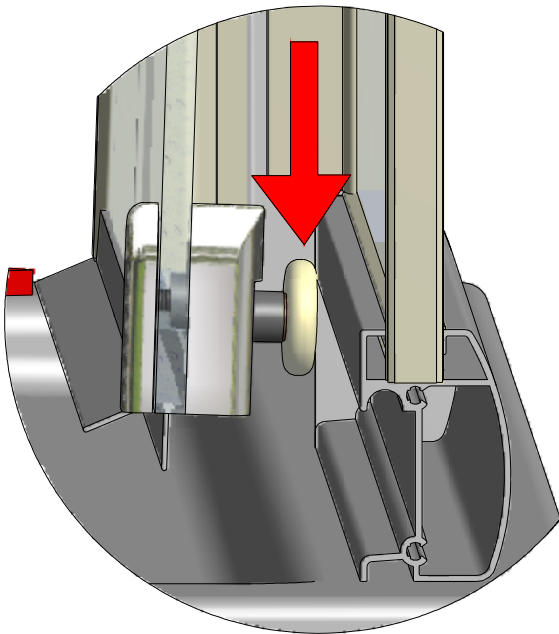
T



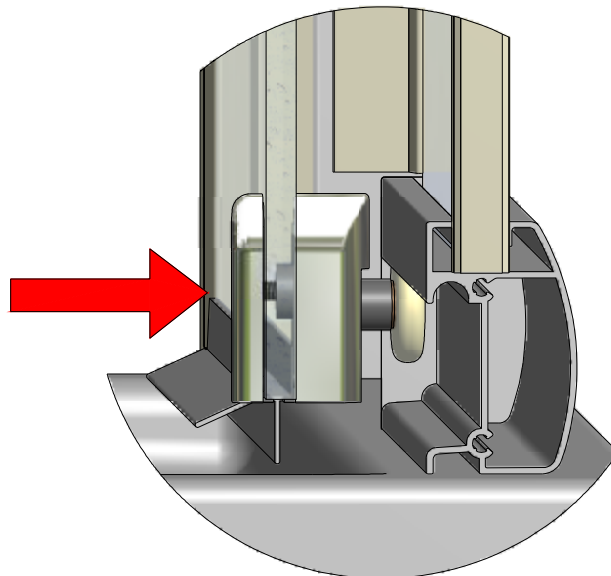
U1



U2

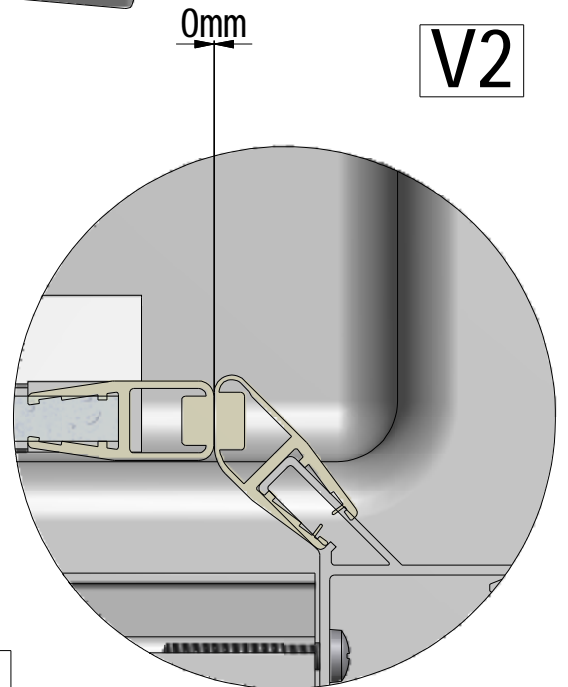
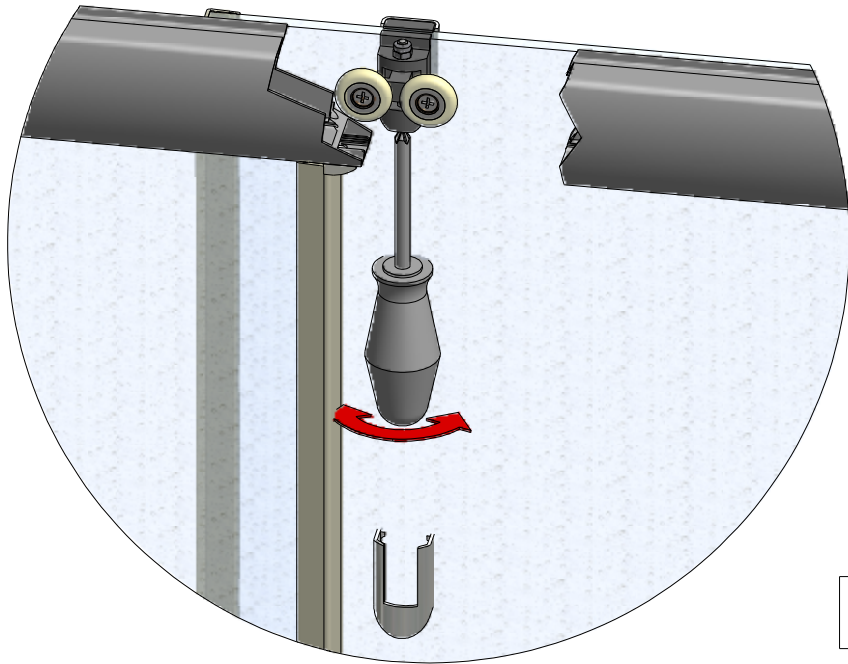


U3



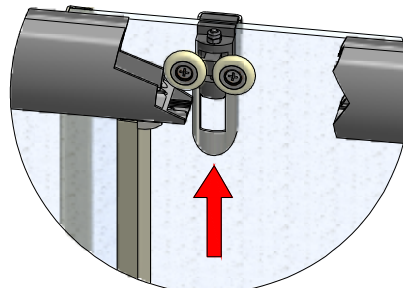


V1

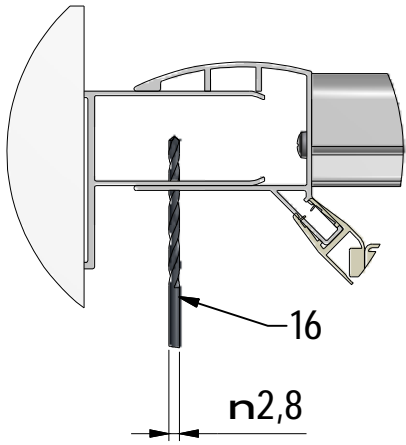


V2

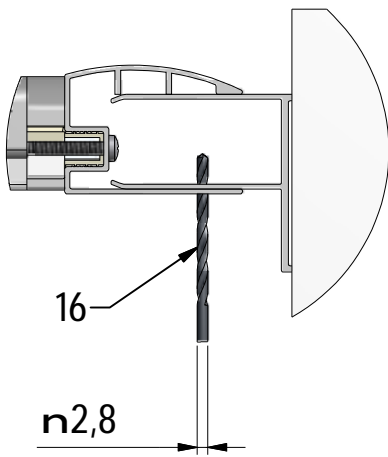
V3



W1

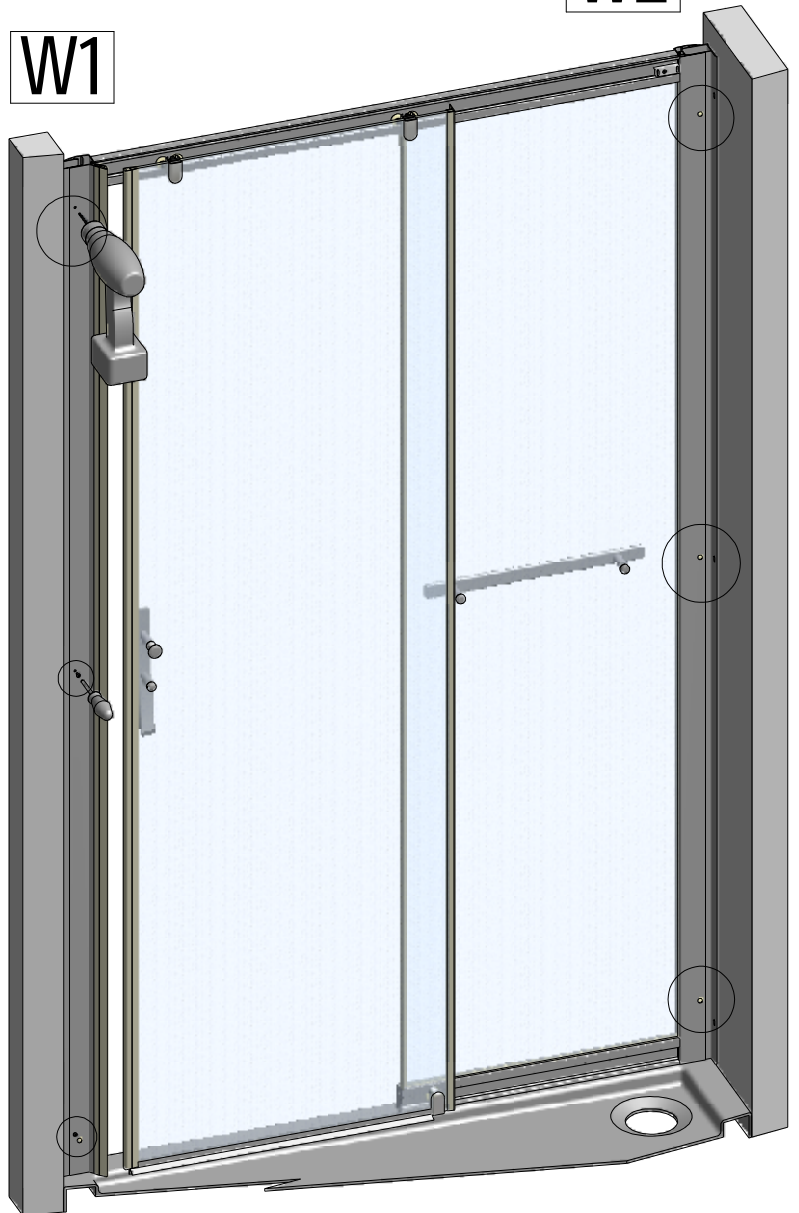


W2

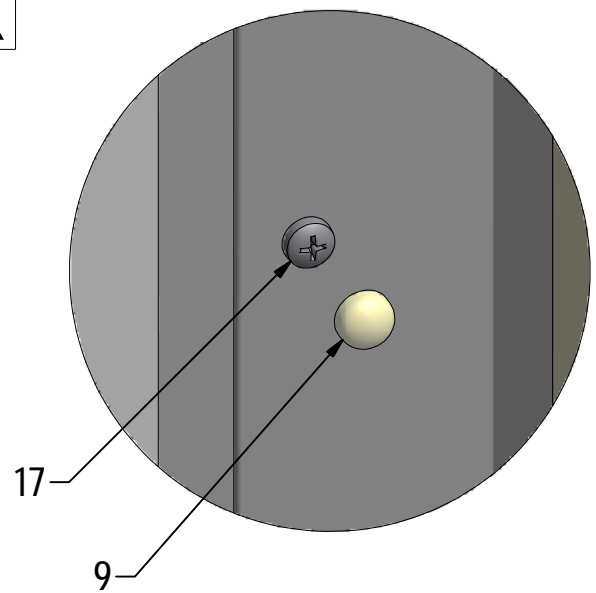
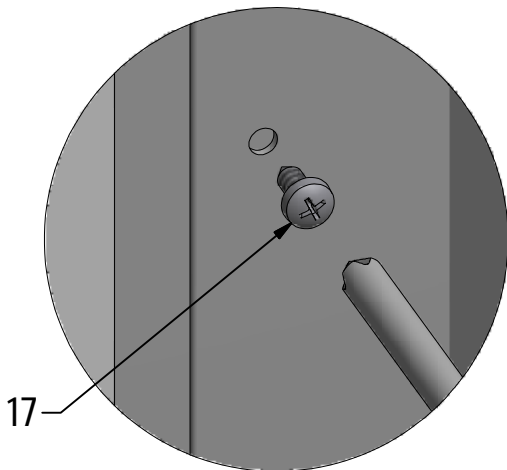


W2

W1



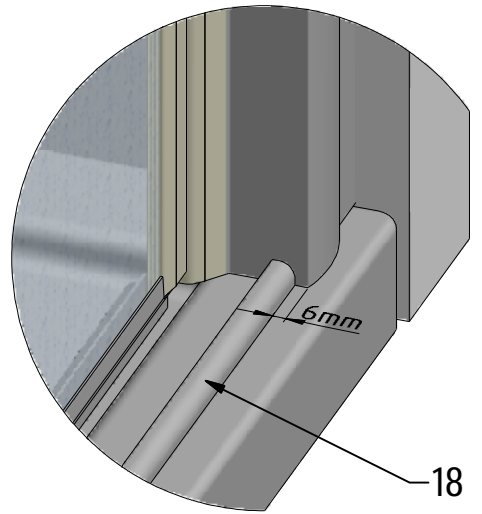
X



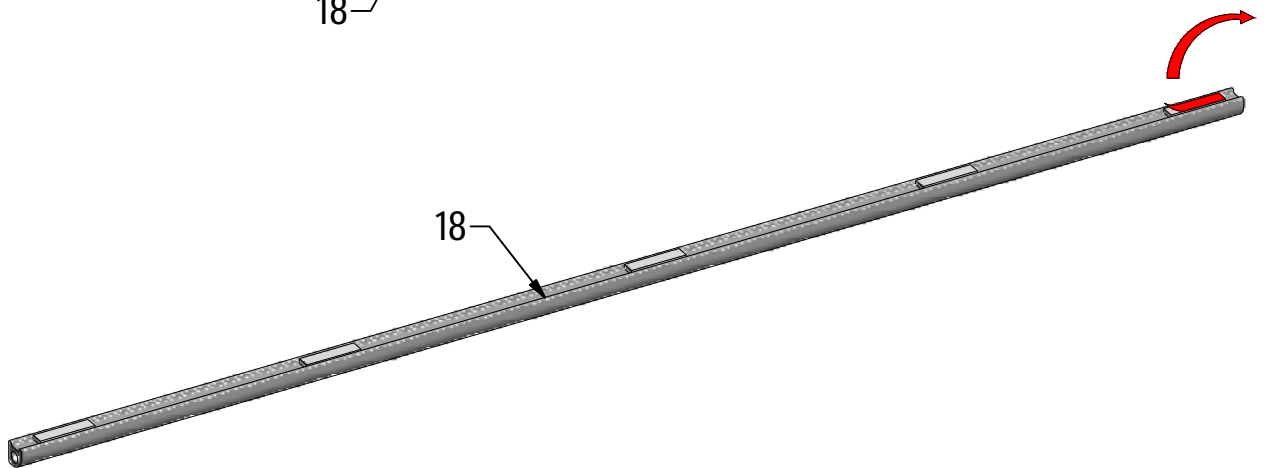


18

Y



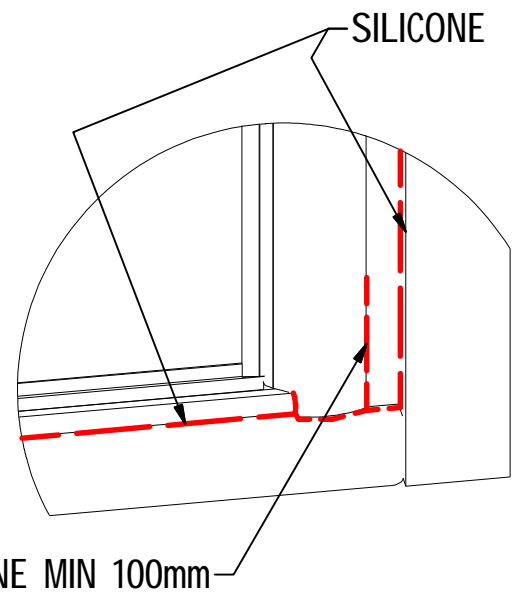
18



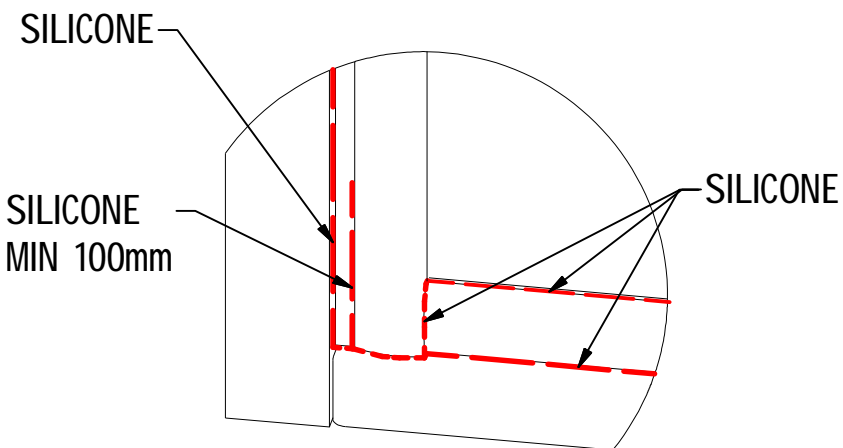
18



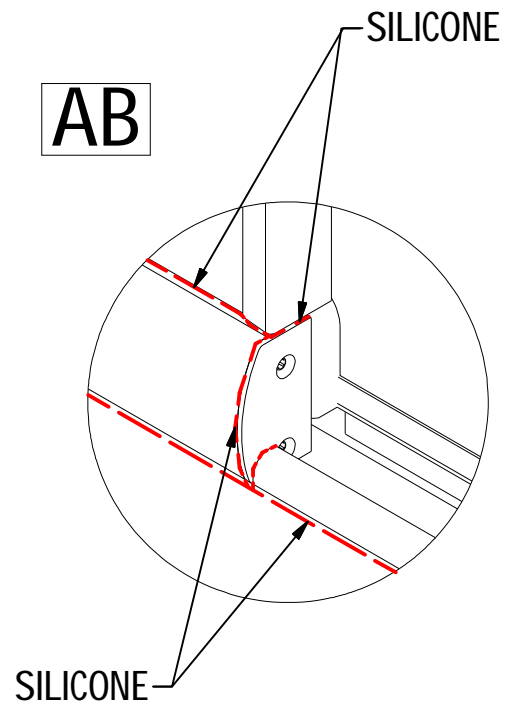
AC



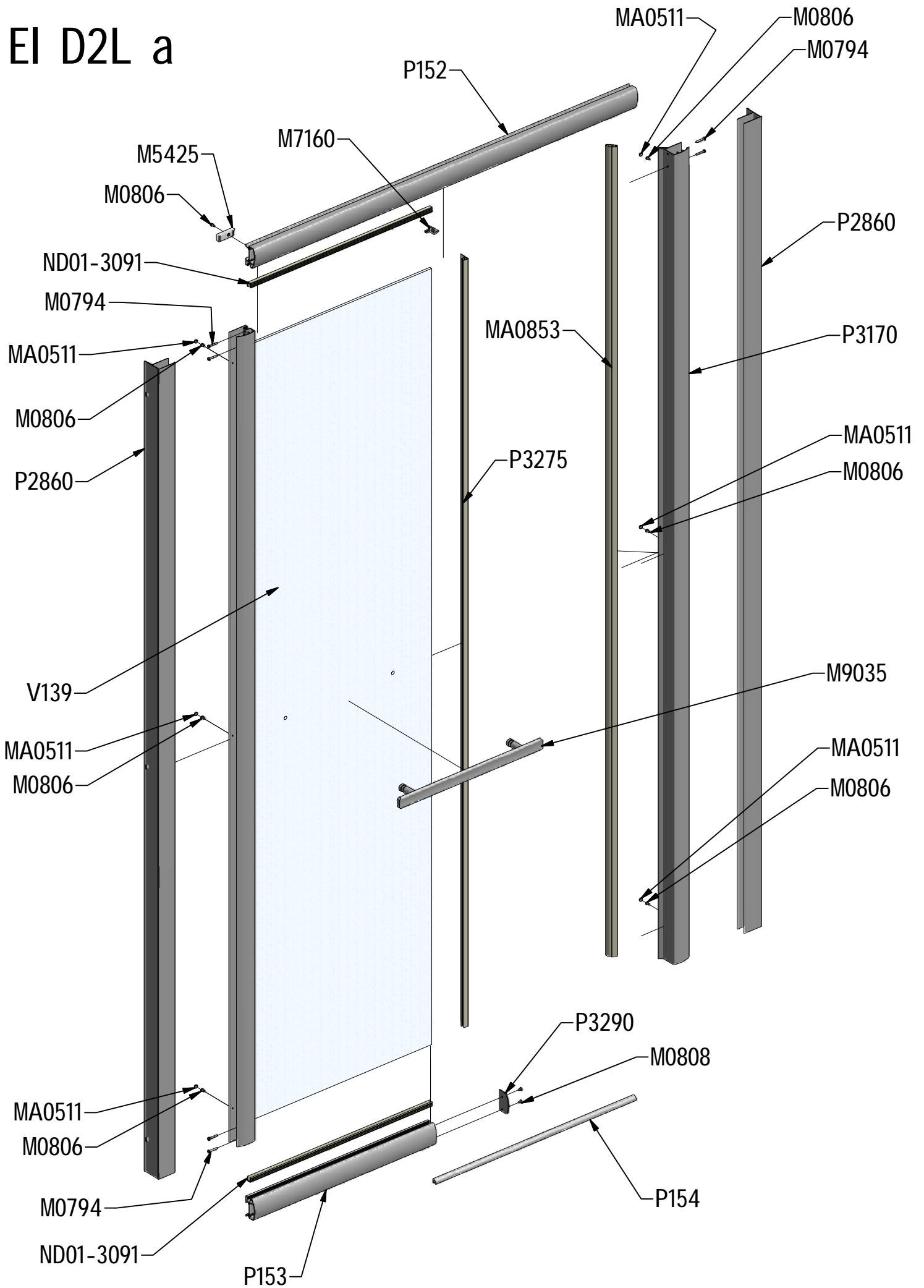
AA



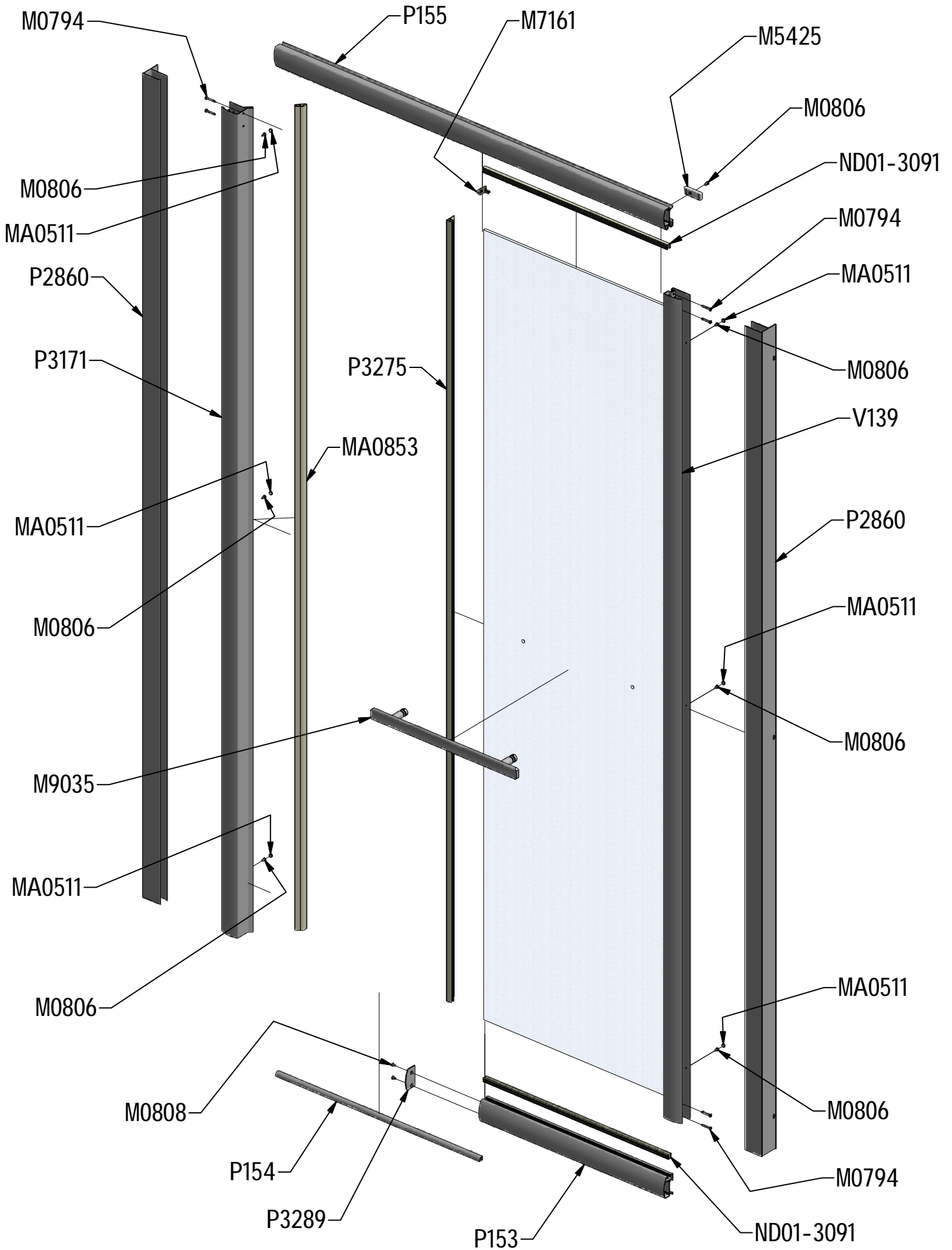
AB



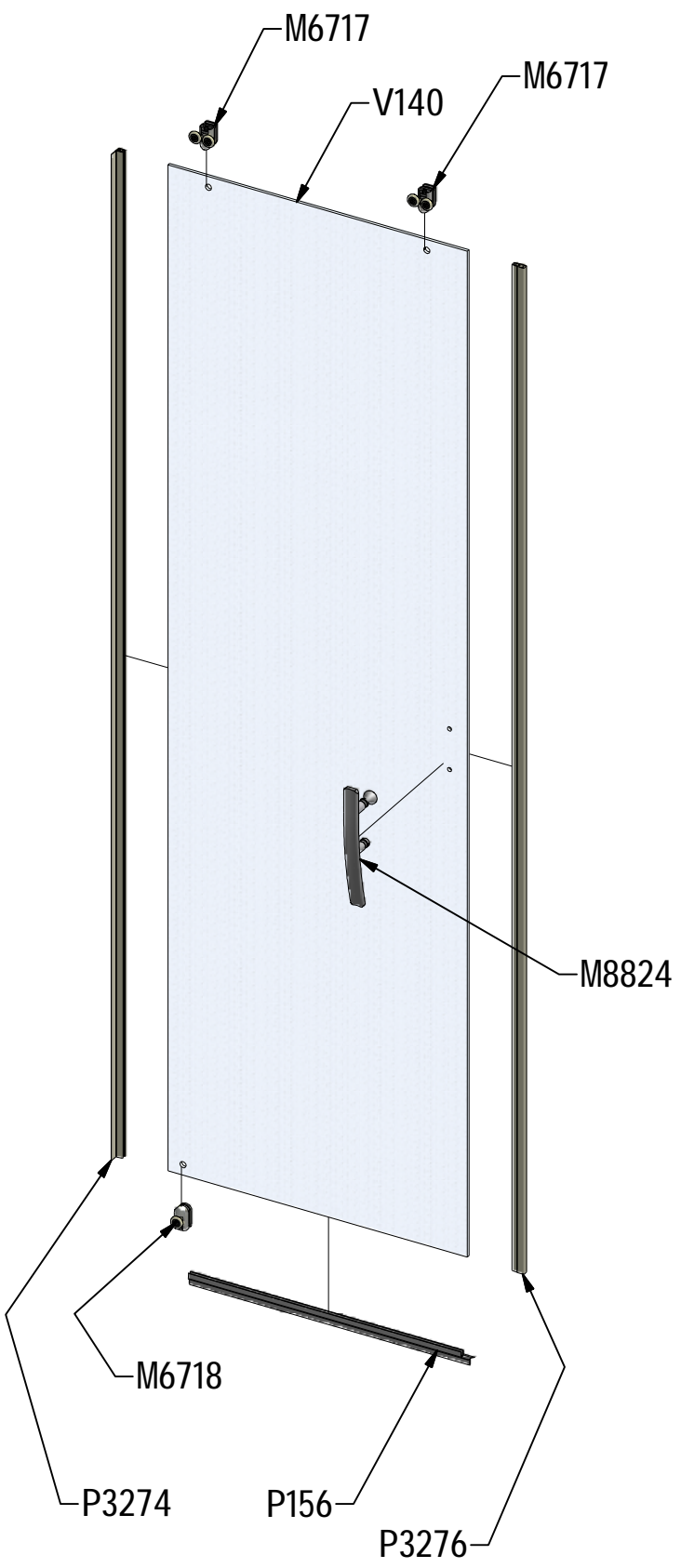
EI D2L a



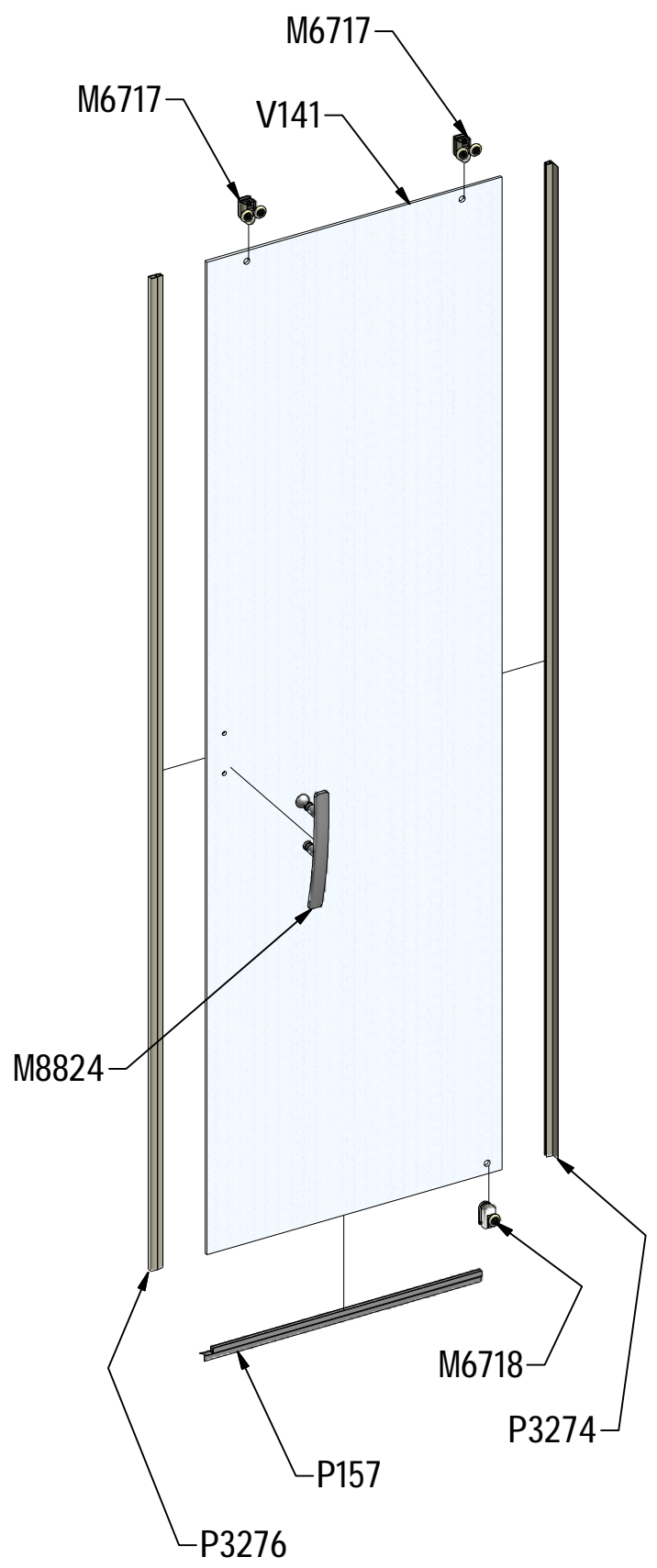
EI D2R a




















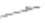













EI D2L b



EI D2R b



| | | | | | | |
|------|-----------------------------------|------|-----------------|---|-----|---|
| P152 | argent poli | 1000 | P3260 | 1 | pcs |  |
| | | 1100 | P3812 | | | |
| | | 1200 | P3172 | | | |
| | | 1300 | P3813 | | | |
| | | 1400 | P3261 | | | |
| | | 1500 | P3814 | | | |
| | | 1600 | P3262 | | | |
| P153 | argent poli | 1000 | P3267 | 1 | pcs |  |
| | | 1100 | P3818 | | | |
| | | 1200 | P3173 | | | |
| | | 1300 | P3819 | | | |
| | | 1400 | P3268 | | | |
| | | 1500 | P3820 | | | |
| | | 1600 | P3269 | | | |
| P154 | argent poli | 1000 | ND01-3087 | 1 | pcs |  |
| | | 1100 | ND01-3261 | | | |
| | | 1200 | ND01-3088 | | | |
| | | 1300 | ND01-3262 | | | |
| | | 1400 | ND01-3089 | | | |
| | | 1500 | ND01-3263 | | | |
| | | 1600 | ND01-3090 | | | |
| P155 | argent poli | 1000 | P3263 | 1 | pcs |  |
| | | 1100 | P3815 | | | |
| | | 1200 | P3264 | | | |
| | | 1300 | P3816 | | | |
| | | 1400 | P3265 | | | |
| | | 1500 | P3817 | | | |
| | | 1600 | P3266 | | | |
| P156 | argent poli | 1000 | P3281 | 1 | pcs |  |
| | | 1100 | P3826 | | | |
| | | 1200 | P3282 | | | |
| | | 1300 | P3825 | | | |
| | | 1400 | P3283 | | | |
| | | 1500 | P3824 | | | |
| | | 1600 | P3284 | | | |
| P157 | argent poli | 1000 | P3285 | 1 | pcs |  |
| | | 1100 | P3823 | | | |
| | | 1200 | P3286 | | | |
| | | 1300 | P3822 | | | |
| | | 1400 | P3287 | | | |
| | | 1500 | P3821 | | | |
| | | 1600 | P3288 | | | |
| V139 | argent poli + clair anti-calcaire | 1000 | ND03-0558-00-02 | 1 | pcs |  |
| | argent poli + noxe anti-calcaire | | ND03-0558-00-21 | | | |
| | argent poli + clair anti-calcaire | 1100 | ND03-0650-00-02 | | | |
| | argent poli + noxe anti-calcaire | | ND03-0650-00-21 | | | |
| | argent poli + clair anti-calcaire | 1200 | ND03-0559-00-02 | | | |
| | argent poli + noxe anti-calcaire | | ND03-0559-00-21 | | | |
| | argent poli + clair anti-calcaire | 1300 | ND03-0651-00-02 | | | |
| | argent poli + noxe anti-calcaire | | ND03-0651-00-21 | | | |
| | argent poli + clair anti-calcaire | 1400 | ND03-0560-00-02 | | | |
| | argent poli + noxe anti-calcaire | | ND03-0560-00-21 | | | |
| | argent poli + clair anti-calcaire | 1500 | ND03-0652-00-02 | | | |
| | argent poli + noxe anti-calcaire | | ND03-0652-00-21 | | | |
| | argent poli + clair anti-calcaire | 1600 | ND03-0561-00-02 | | | |
| | argent poli + noxe anti-calcaire | | ND03-0561-00-21 | | | |
| V140 | clair anti-calcaire | 1000 | ND02-0682-02 | 1 | pcs |  |
| | noxe anti-calcaire | | ND02-0682-21 | | | |
| | clair anti-calcaire | 1100 | ND02-0730-02 | | | |
| | noxe anti-calcaire | | ND02-0730-21 | | | |
| | clair anti-calcaire | 1200 | ND02-0683-02 | | | |
| | noxe anti-calcaire | | ND02-0683-21 | | | |
| | clair anti-calcaire | 1300 | ND02-0731-02 | | | |
| | noxe anti-calcaire | | ND02-0731-21 | | | |
| | clair anti-calcaire | 1400 | ND02-0684-02 | | | |
| | noxe anti-calcaire | | ND02-0684-21 | | | |
| | clair anti-calcaire | 1500 | ND02-0732-02 | | | |
| | noxe anti-calcaire | | ND02-0732-21 | | | |
| | clair anti-calcaire | 1600 | ND02-0685-02 | | | |
| | noxe anti-calcaire | | ND02-0685-21 | | | |

| | | | | | | |
|------|---------------------|------|--------------|----|-----|---|
| V141 | clair anti-calcaire | 1000 | ND02-0682-02 | 1 | pcs |  |
| | noxe anti-calcaire | | ND02-0686-21 | | | |
| | clair anti-calcaire | 1100 | ND02-0730-02 | | | |
| | noxe anti-calcaire | | ND02-0733-21 | | | |
| | clair anti-calcaire | 1200 | ND02-0683-02 | | | |
| | noxe anti-calcaire | | ND02-0687-21 | | | |
| | clair anti-calcaire | 1300 | ND02-0731-02 | | | |
| | noxe anti-calcaire | | ND02-0734-21 | | | |
| | clair anti-calcaire | 1400 | ND02-0684-02 | | | |
| | noxe anti-calcaire | | ND02-0688-21 | | | |
| | clair anti-calcaire | 1500 | ND02-0732-02 | | | |
| | noxe anti-calcaire | | ND02-0735-21 | | | |
| | clair anti-calcaire | 1600 | ND02-0685-02 | | | |
| | noxe anti-calcaire | | ND02-0689-21 | | | |
| | | | P2860 | 2 | pcs |  |
| | | | P3170 | 1 | pcs |  |
| | | | P3171 | 1 | pcs |  |
| | | | ND01-3091 | 2 | pcs |  |
| | | | P3274 | 1 | pcs |  |
| | | | P3275 | 1 | pcs |  |
| | | | MA0853 | 1 | pcs |  |
| | | | P3276 | 1 | pcs |  |
| | | | M9035 | 1 | pcs |  |
| | | | M8824 | 1 | pcs |  |
| | | | M6717 | 2 | pcs |  |
| | | | M6718 | 1 | pcs |  |
| | | | M7160 | 1 | pcs |  |
| | | | M7161 | 1 | pcs |  |
| | | | P3289 | 1 | pcs |  |
| | | | P3290 | 1 | pcs |  |
| | | | MA0511 | 12 | pcs |  |
| | | | M0794 | 6 | pcs |  |
| | | | M0806 | 7 | pcs |  |
| | | | M0795 | 6 | pcs |  |
| | | | M0808 | 2 | pcs |  |
| | | | M5425 | 1 | pcs |  |