

DE

Montageanleitung

FR

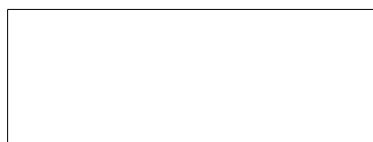
Notice de montage

GB

Installation instructions



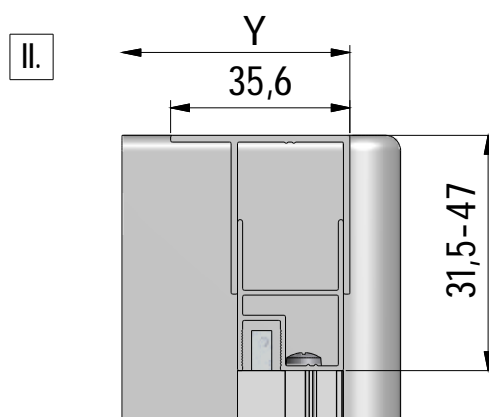
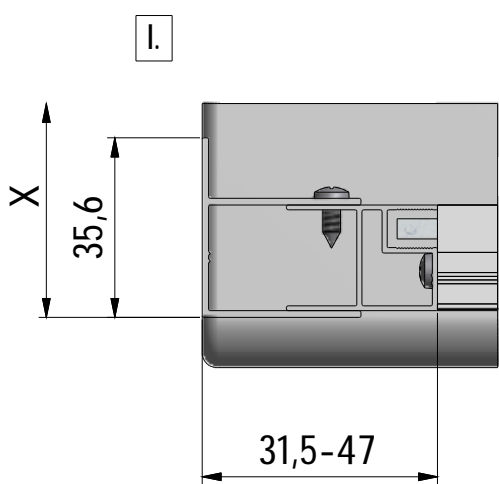
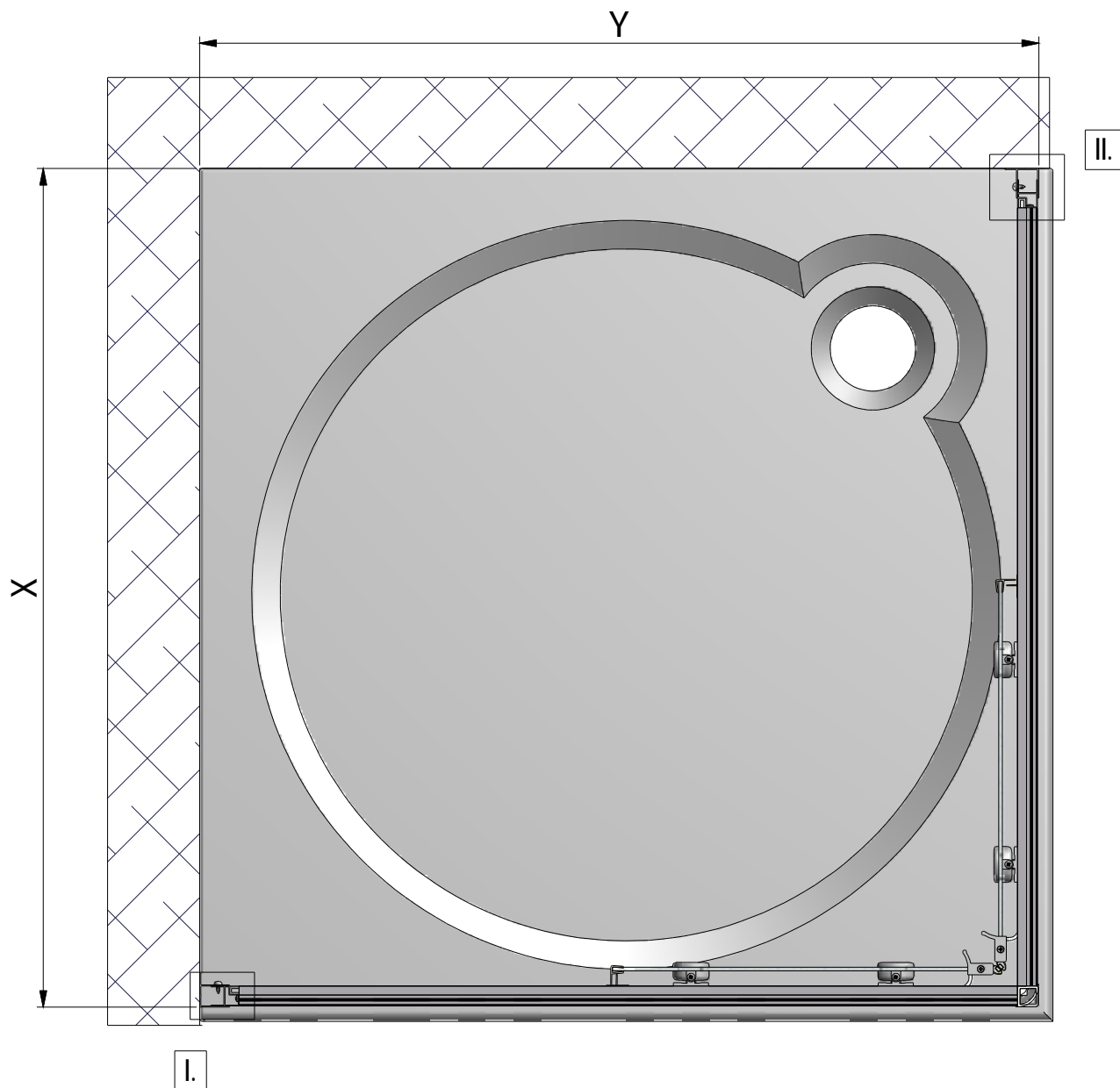
EQUI



EI PGN - 2015/02/24

Rev.:00

MA3208



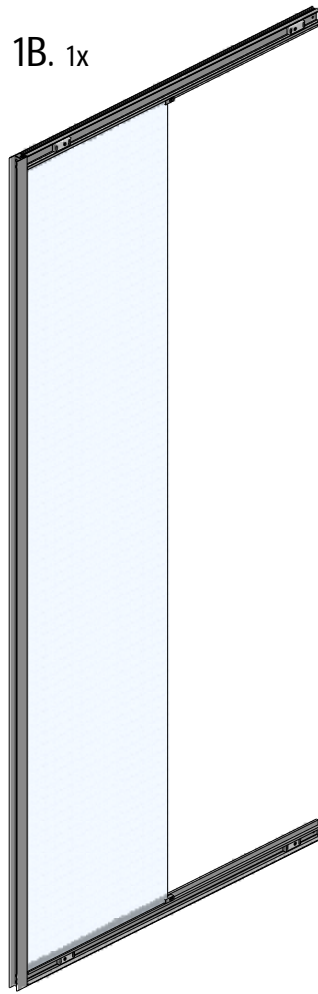
	X (MIN-MAX)	Y (MIN-MAX)
700x700	675-690	675-690
800x800	775-790	775-790
900x900	875-890	875-890

Accessoires avec Accès d'angle coulissant
Fittings with Corner entry

1A. 1x



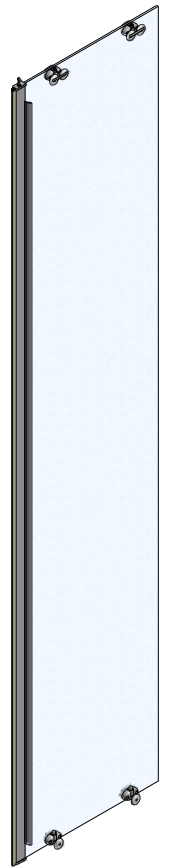
1B. 1x



2A. 1x



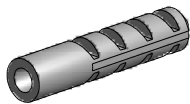
2B. 1x



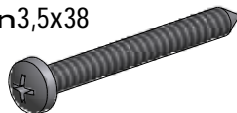
3. 2x (P3082)



4. 6x (M0511)



5. 6x (M0795)
n3,5x38



6. 16x (MA0511)



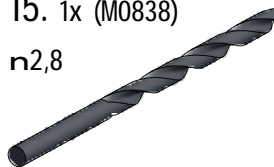
12. 6x (M0806)
n3,5x9,5



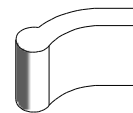
14. 2x (MA1923)



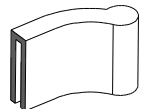
15. 1x (M0838)
n2,8



18. 2x (M0664)



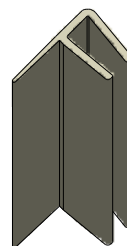
19. 2x (M0663)

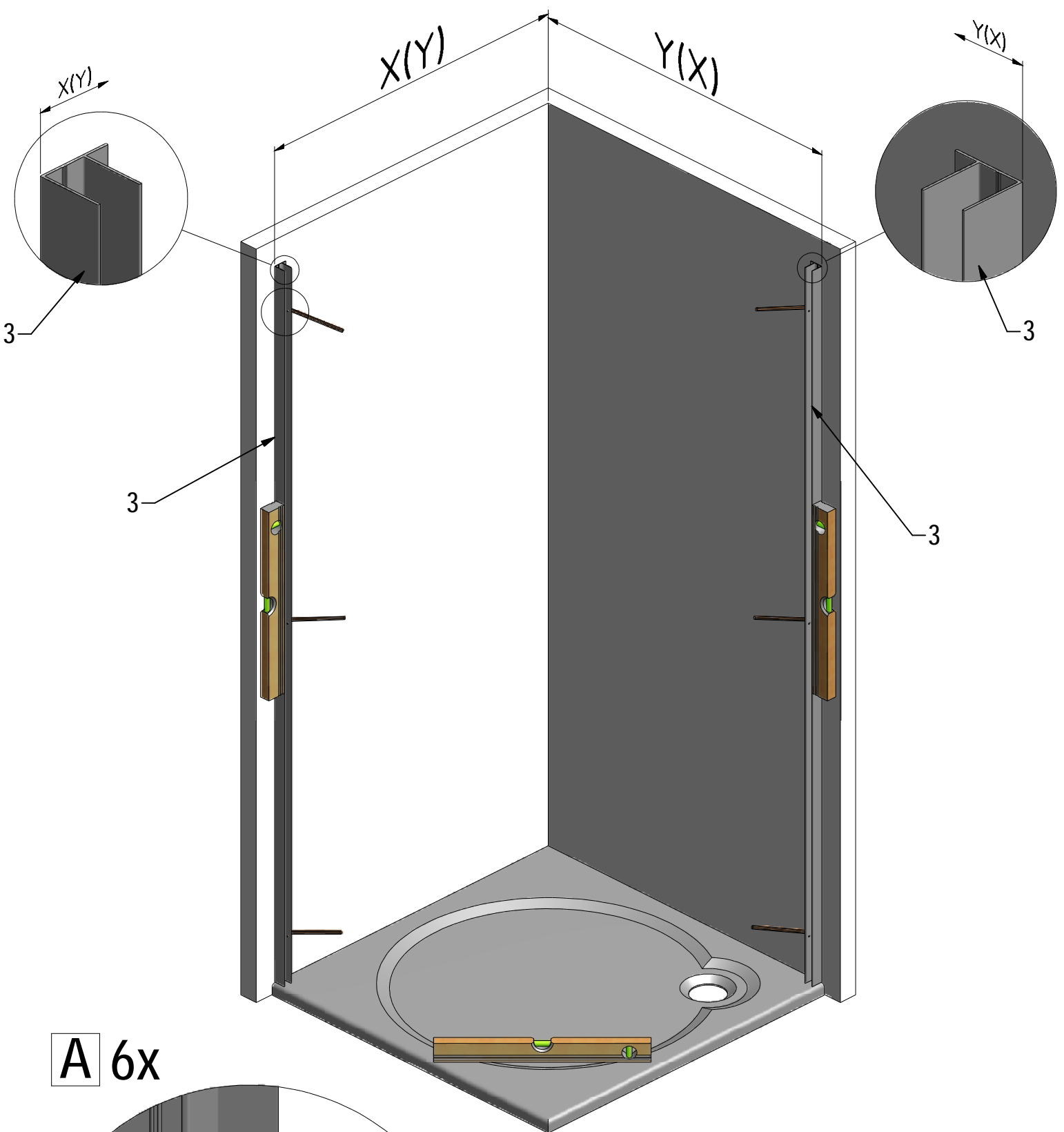


16. 4x (M4928)
n3,5x6,5

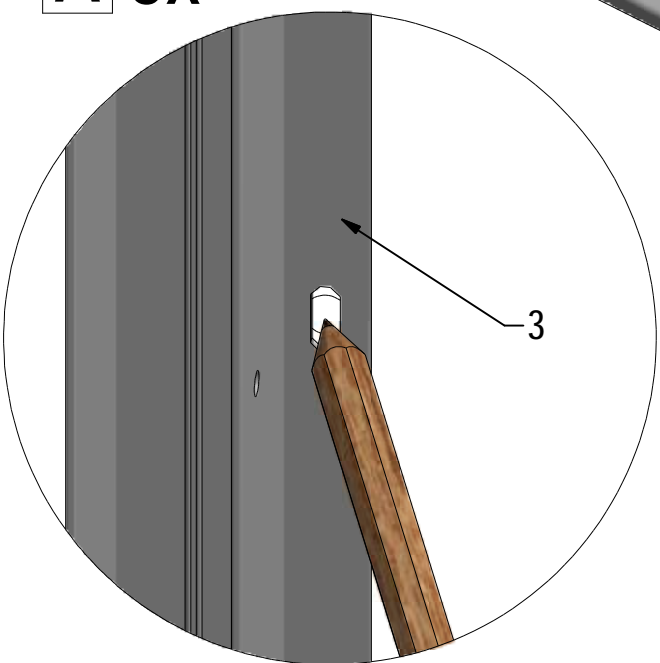


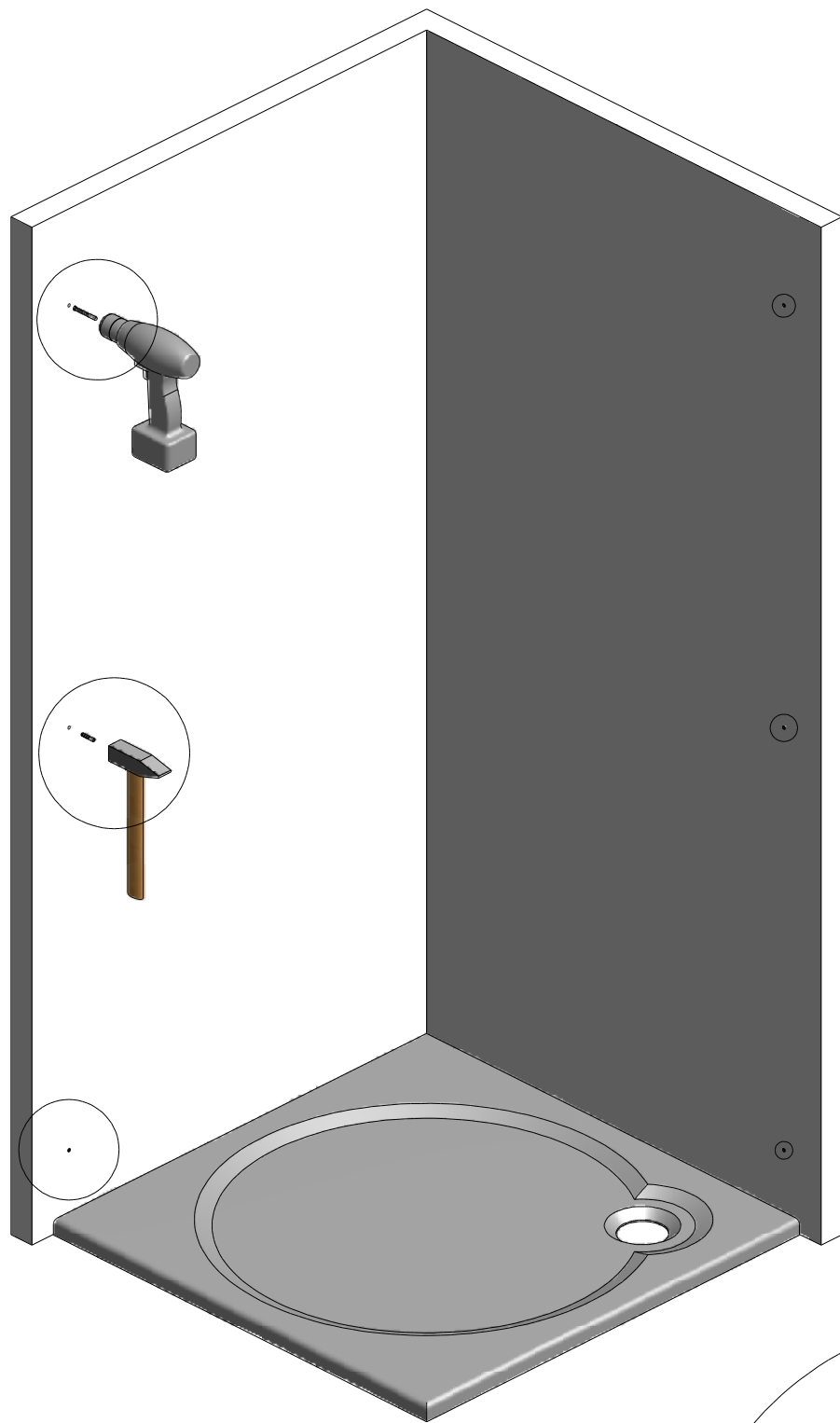
17. 2x+2x
(P3200+P3201)



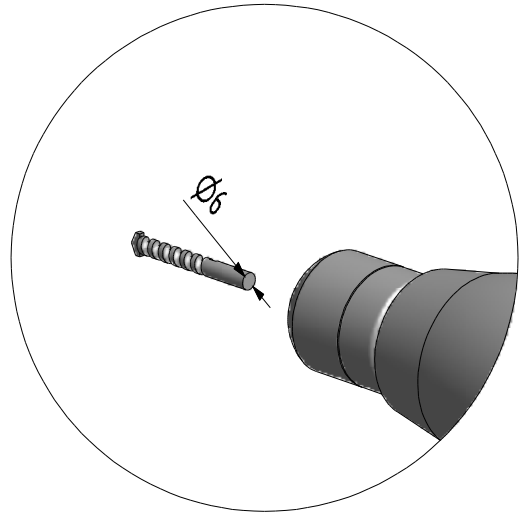


A 6x

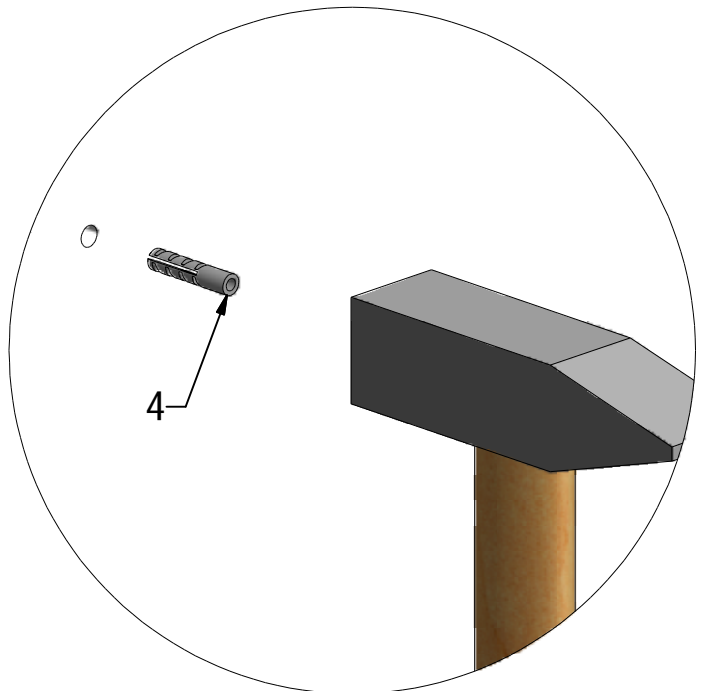




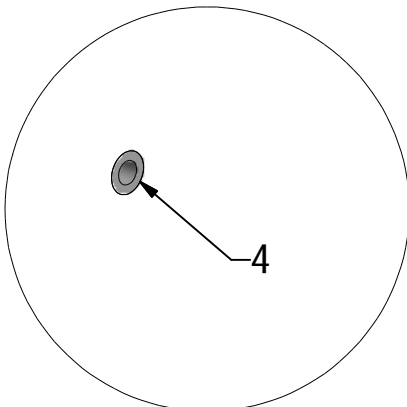
B 6x



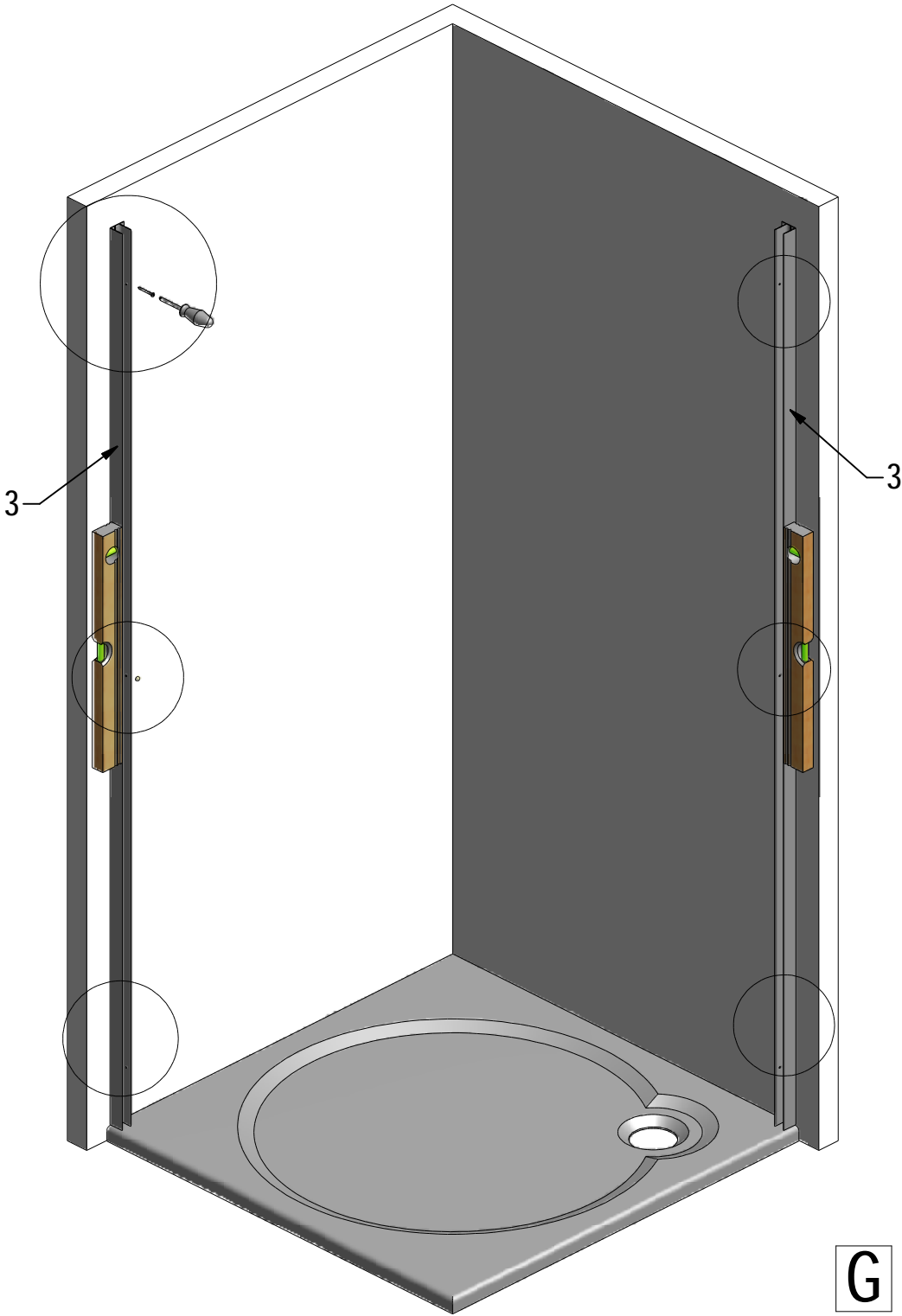
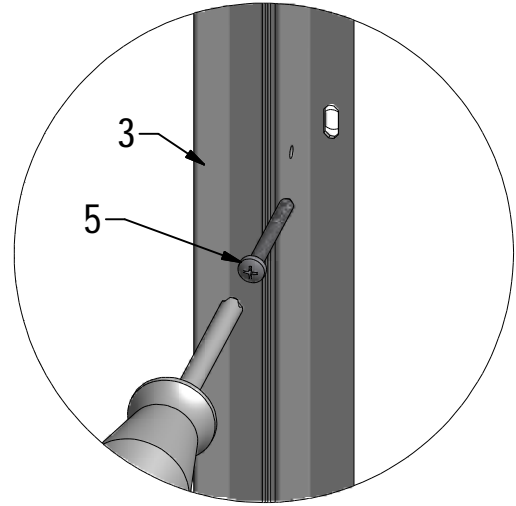
C 6x



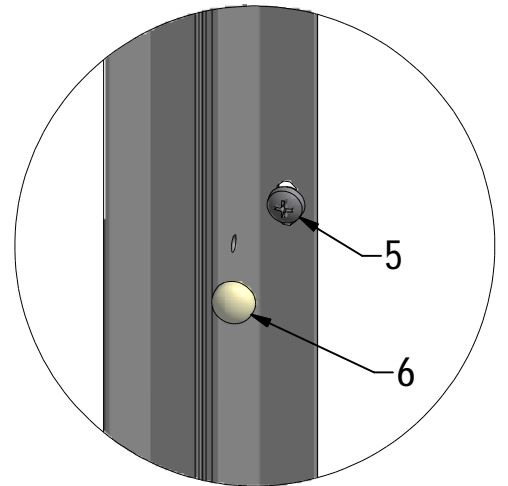
D 6x



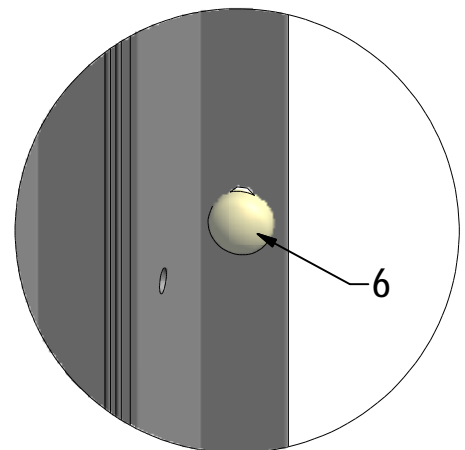
E 6x

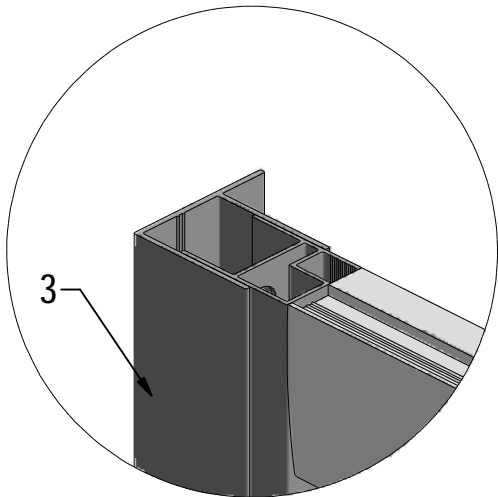
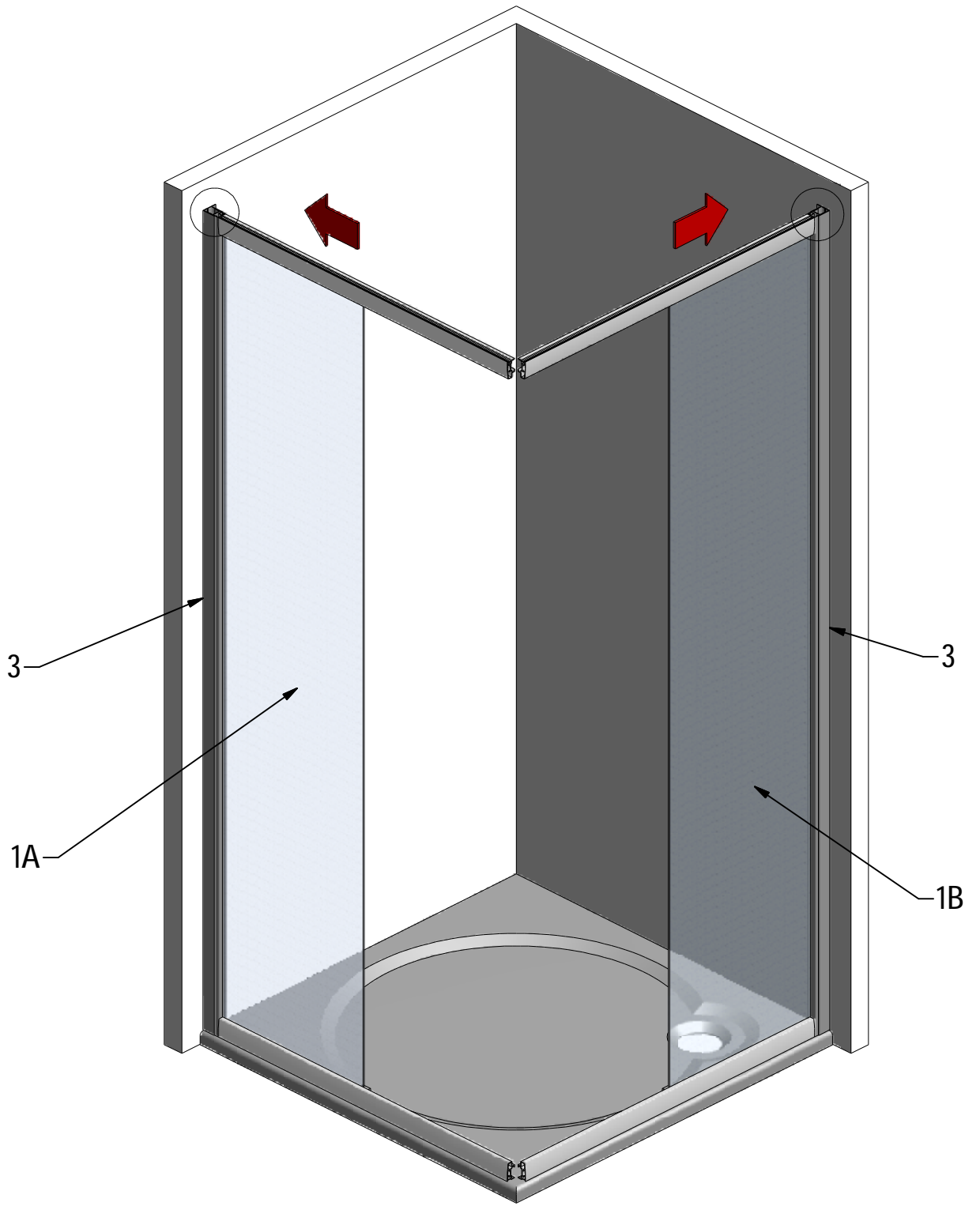


F 6x

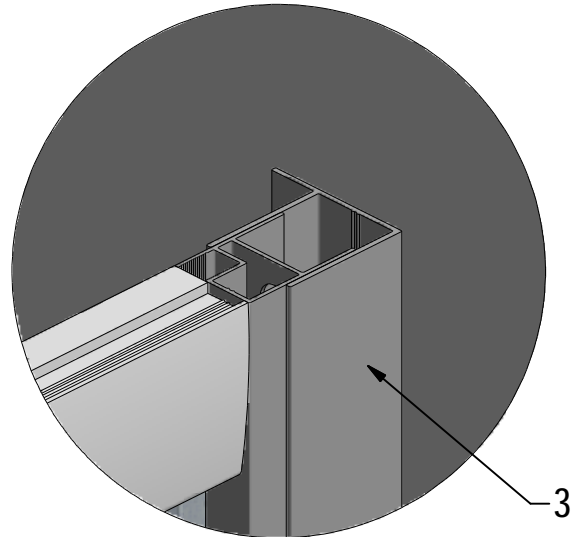


G 6x

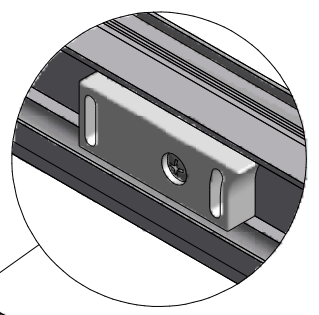
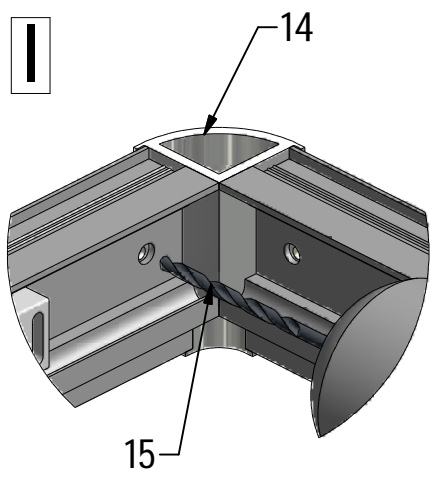




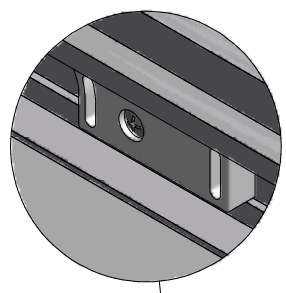
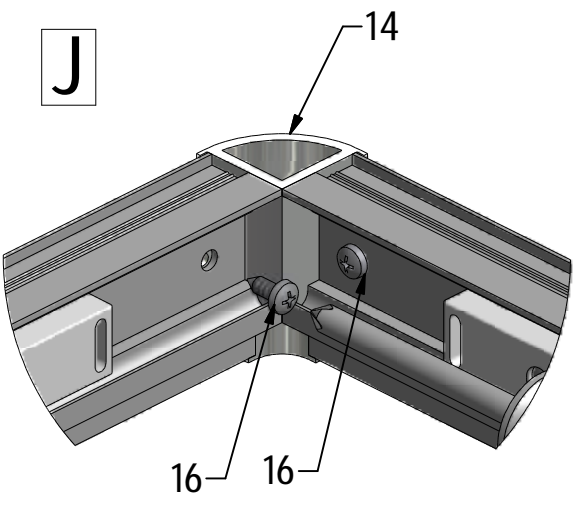
H



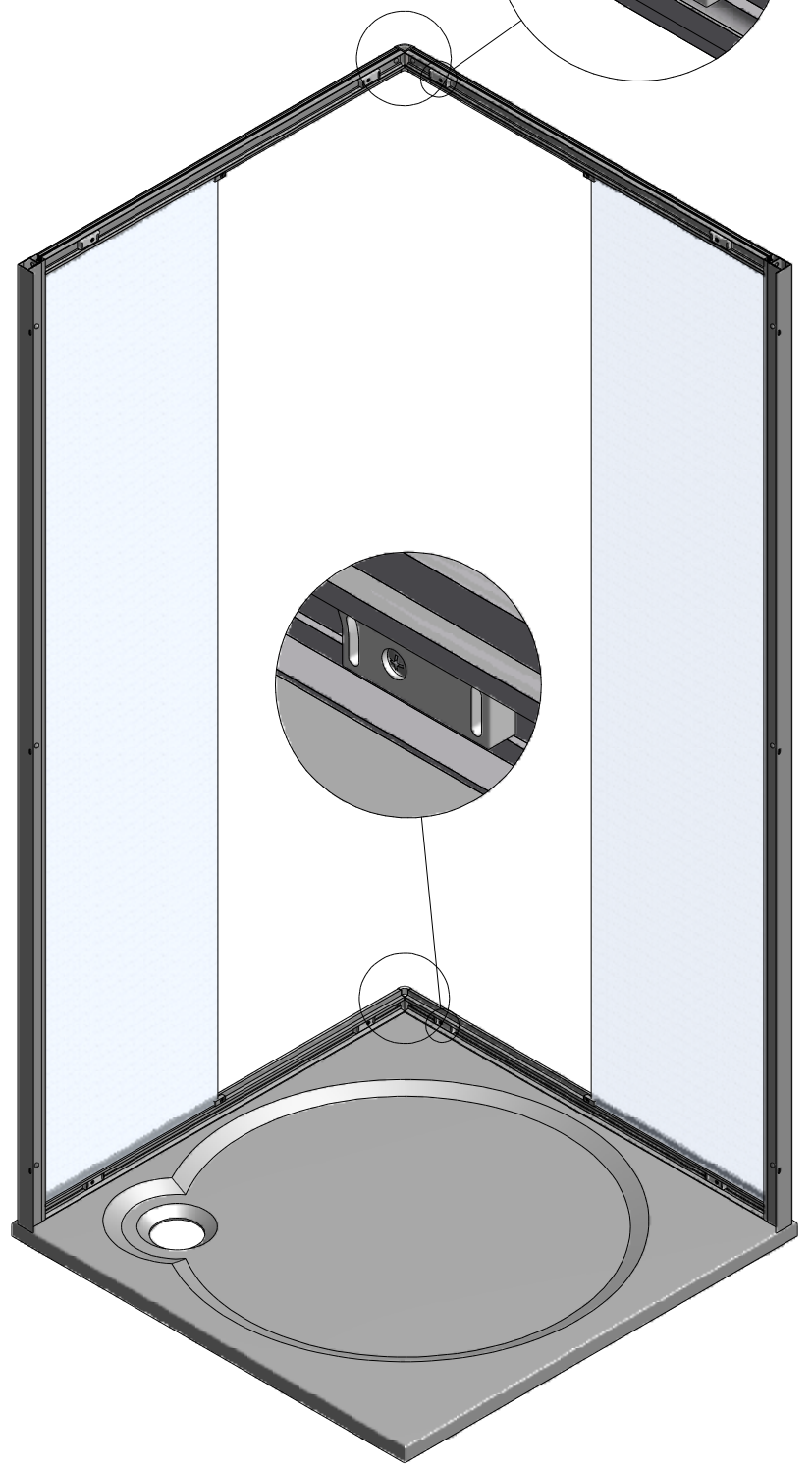
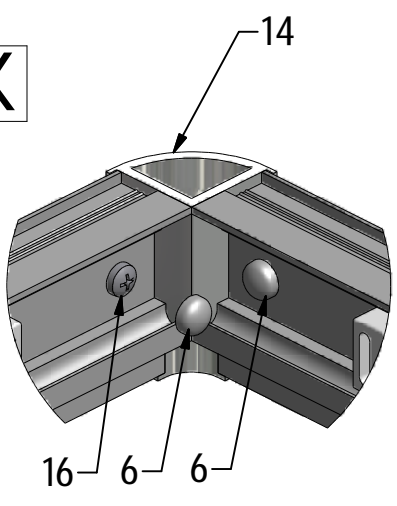
I

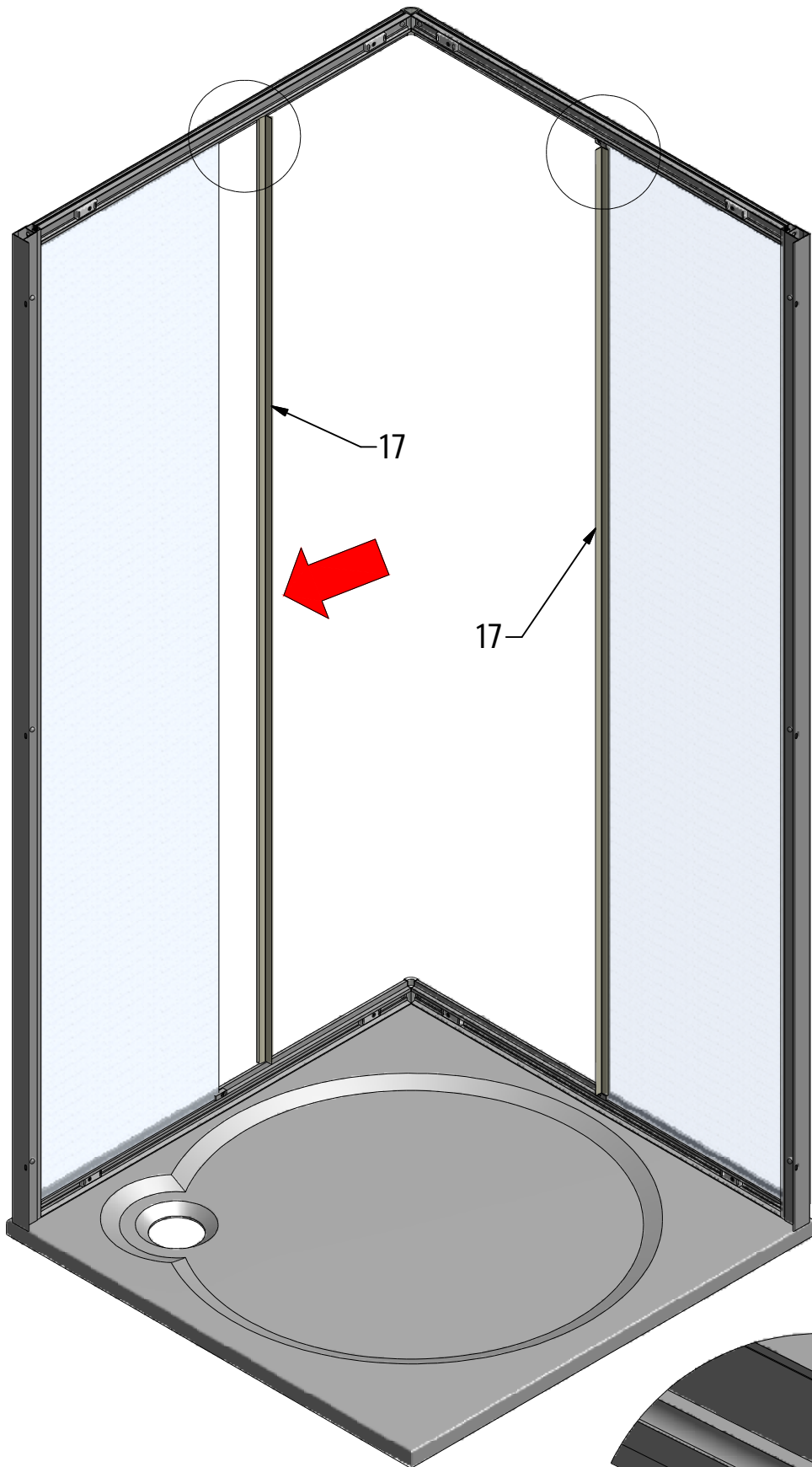


J

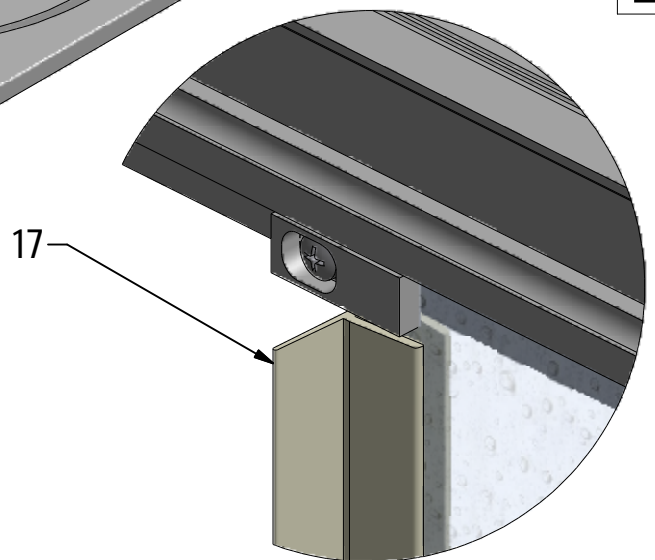


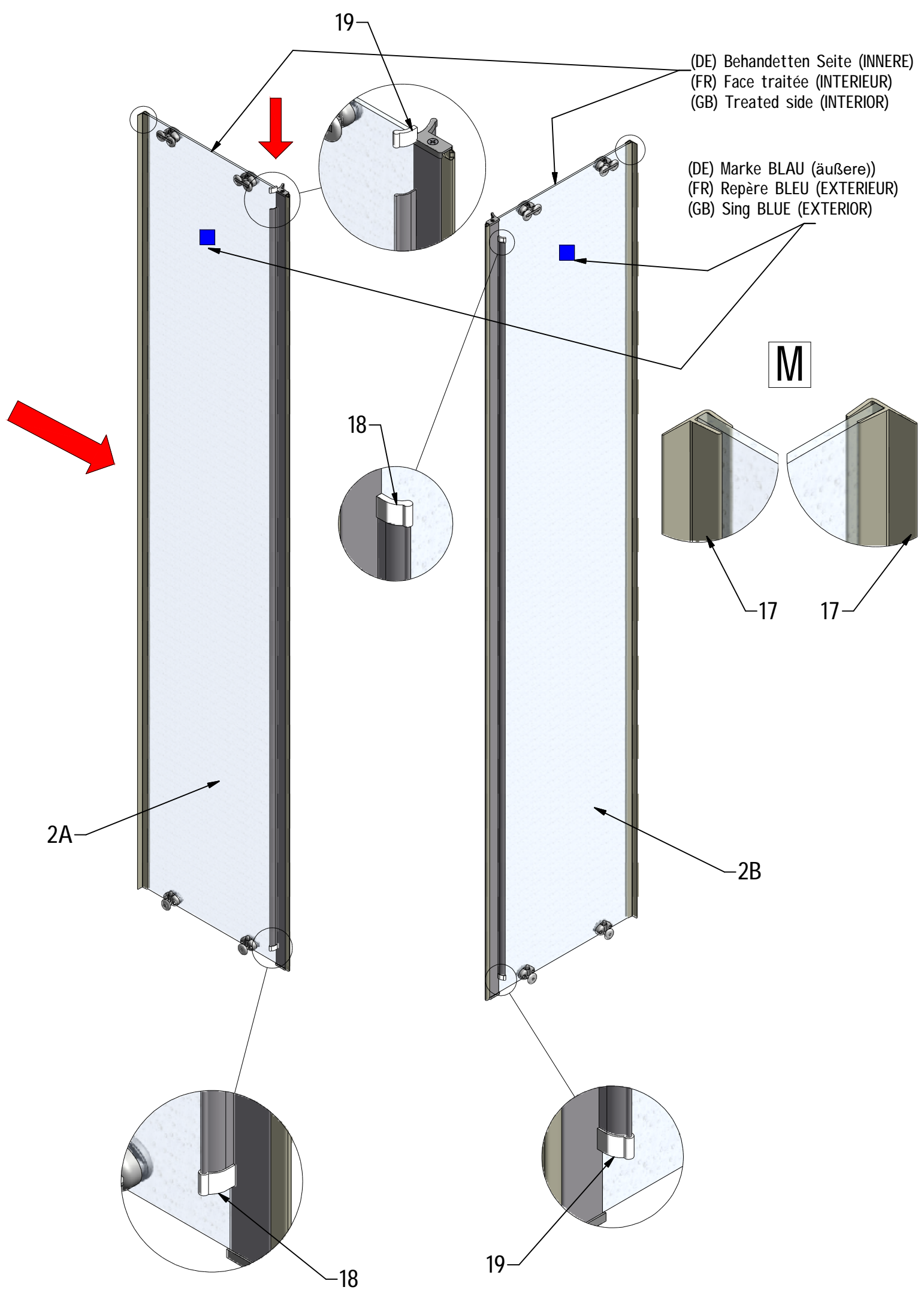
K





L

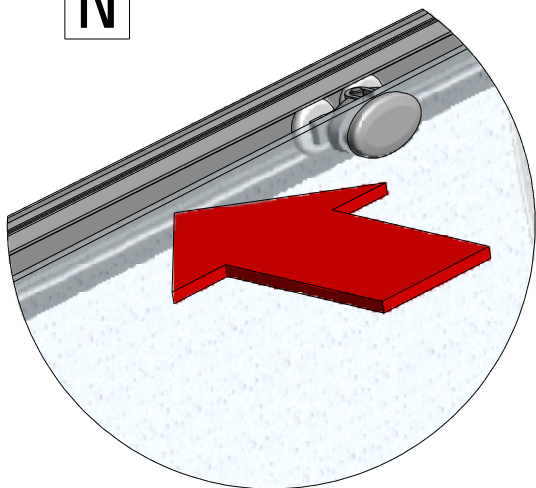




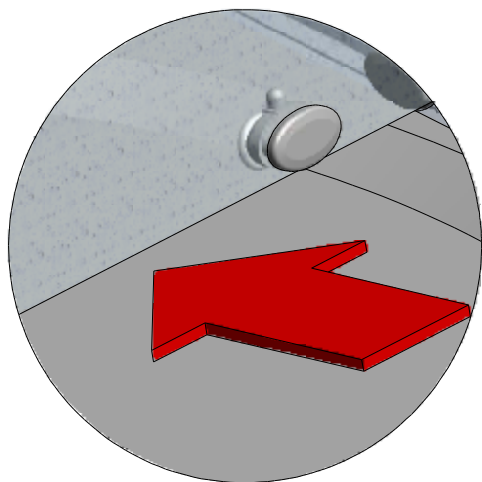
2B

2A

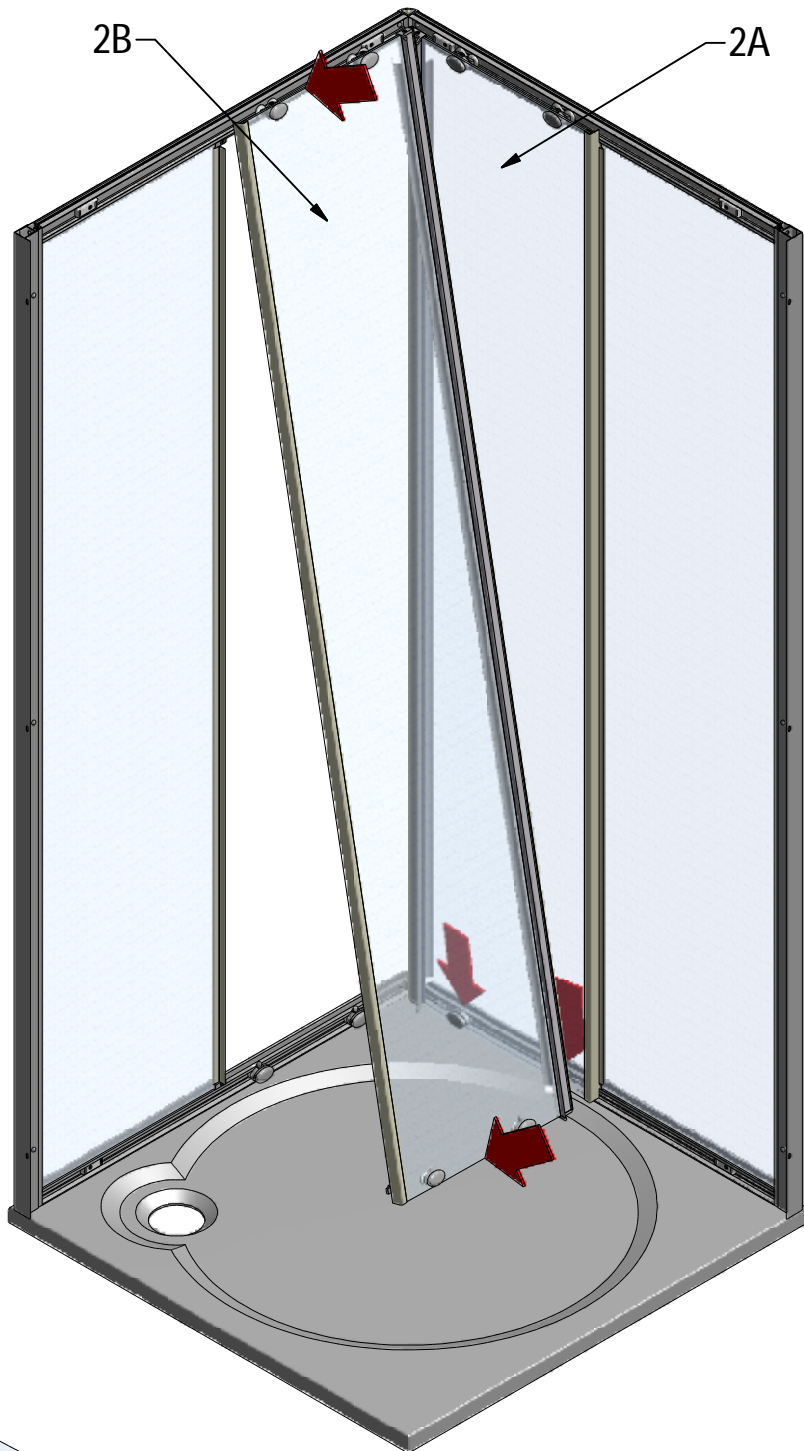
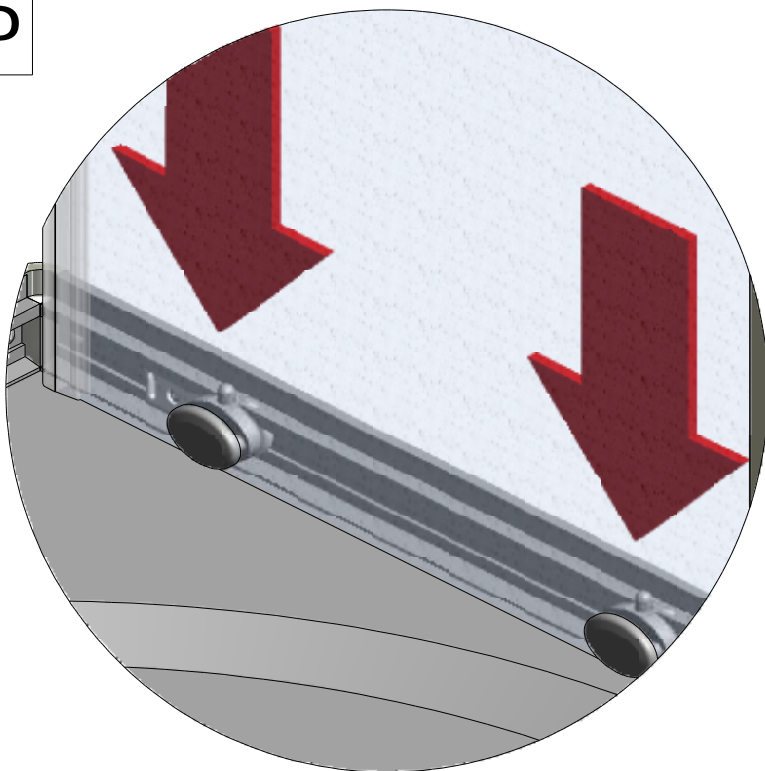
N

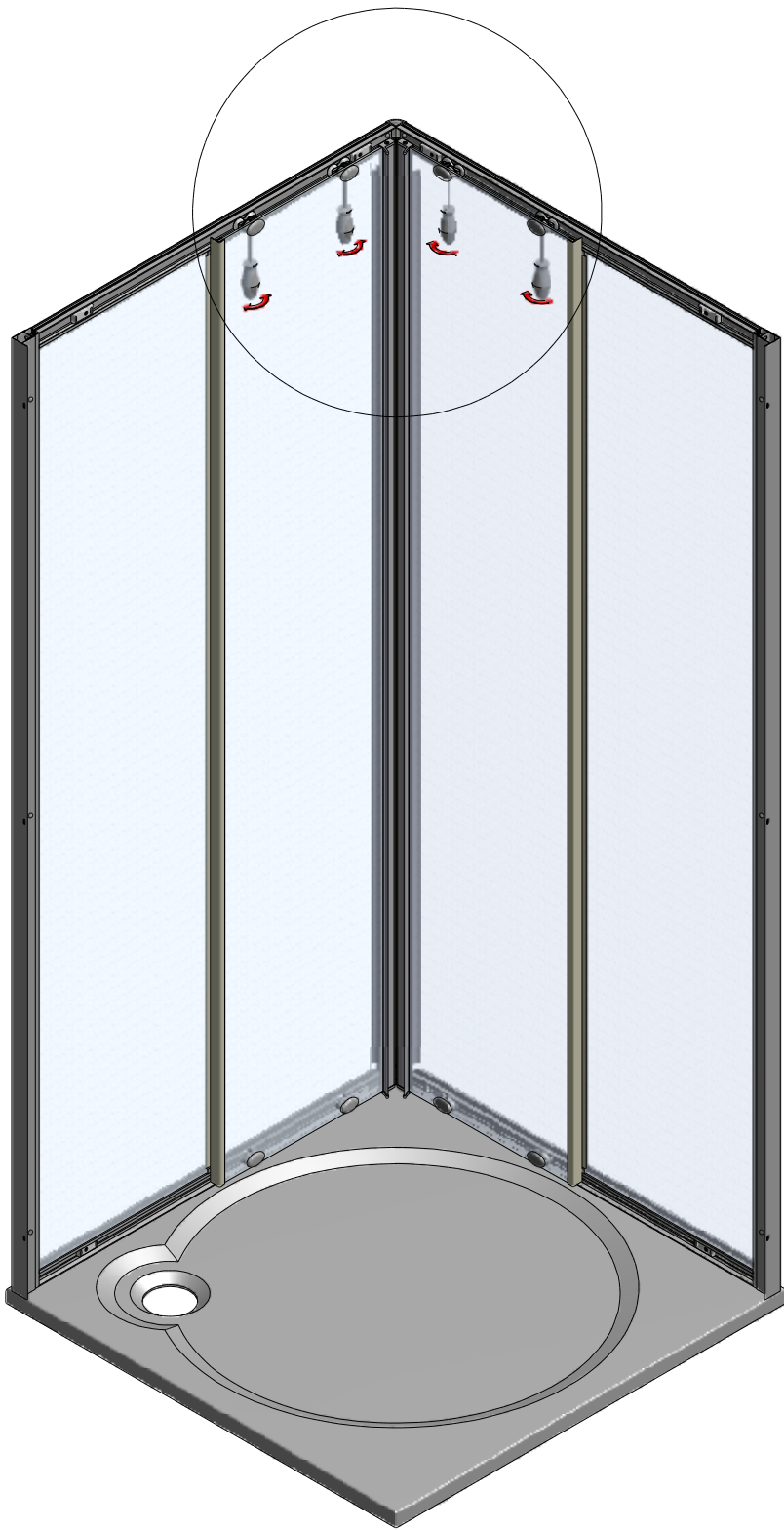


O

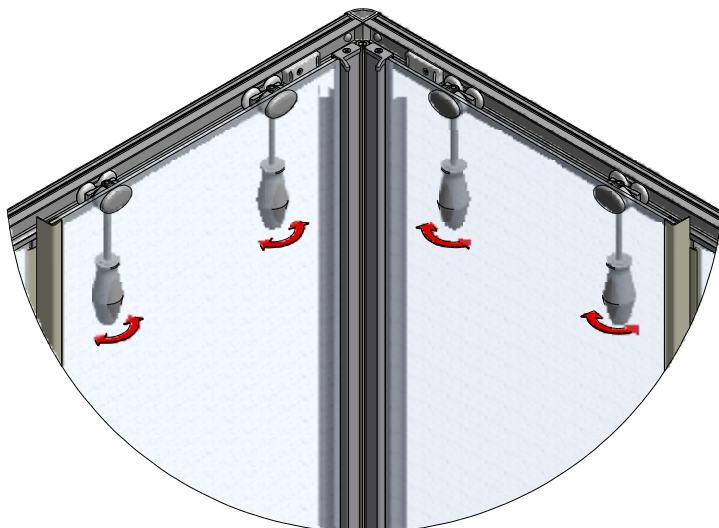
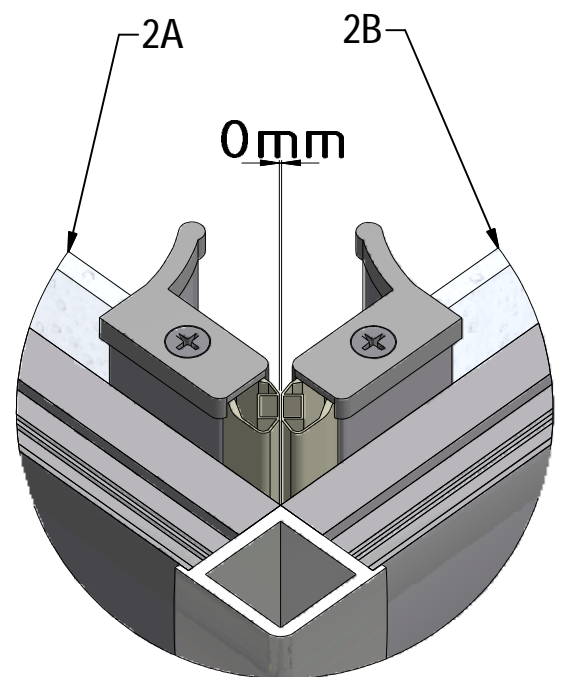
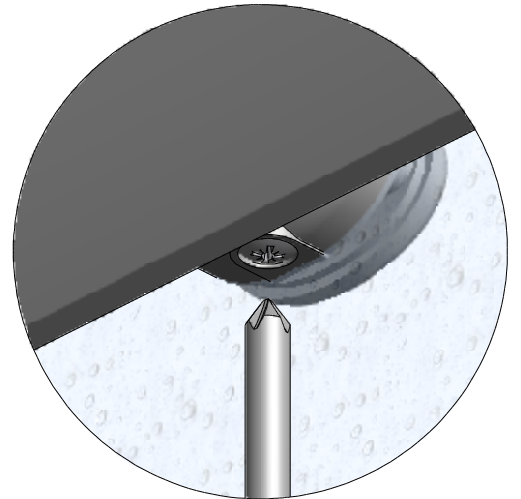


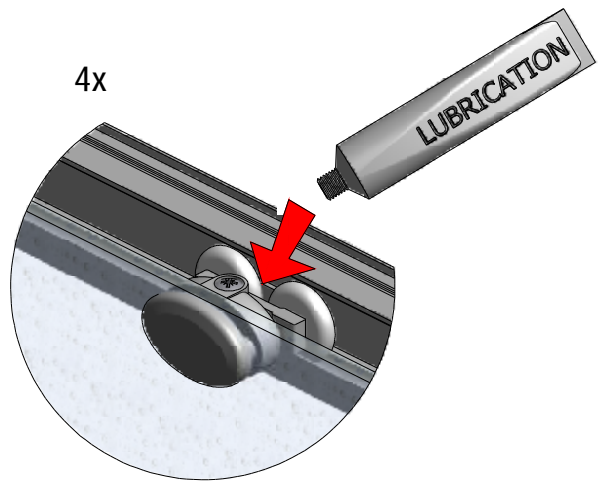
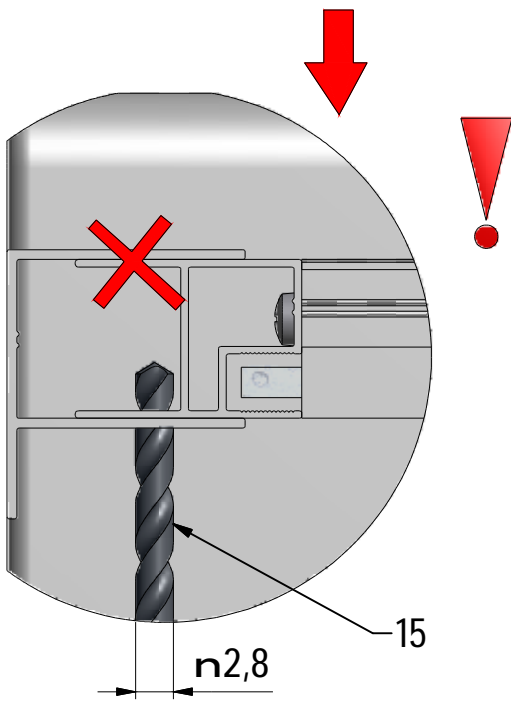
P



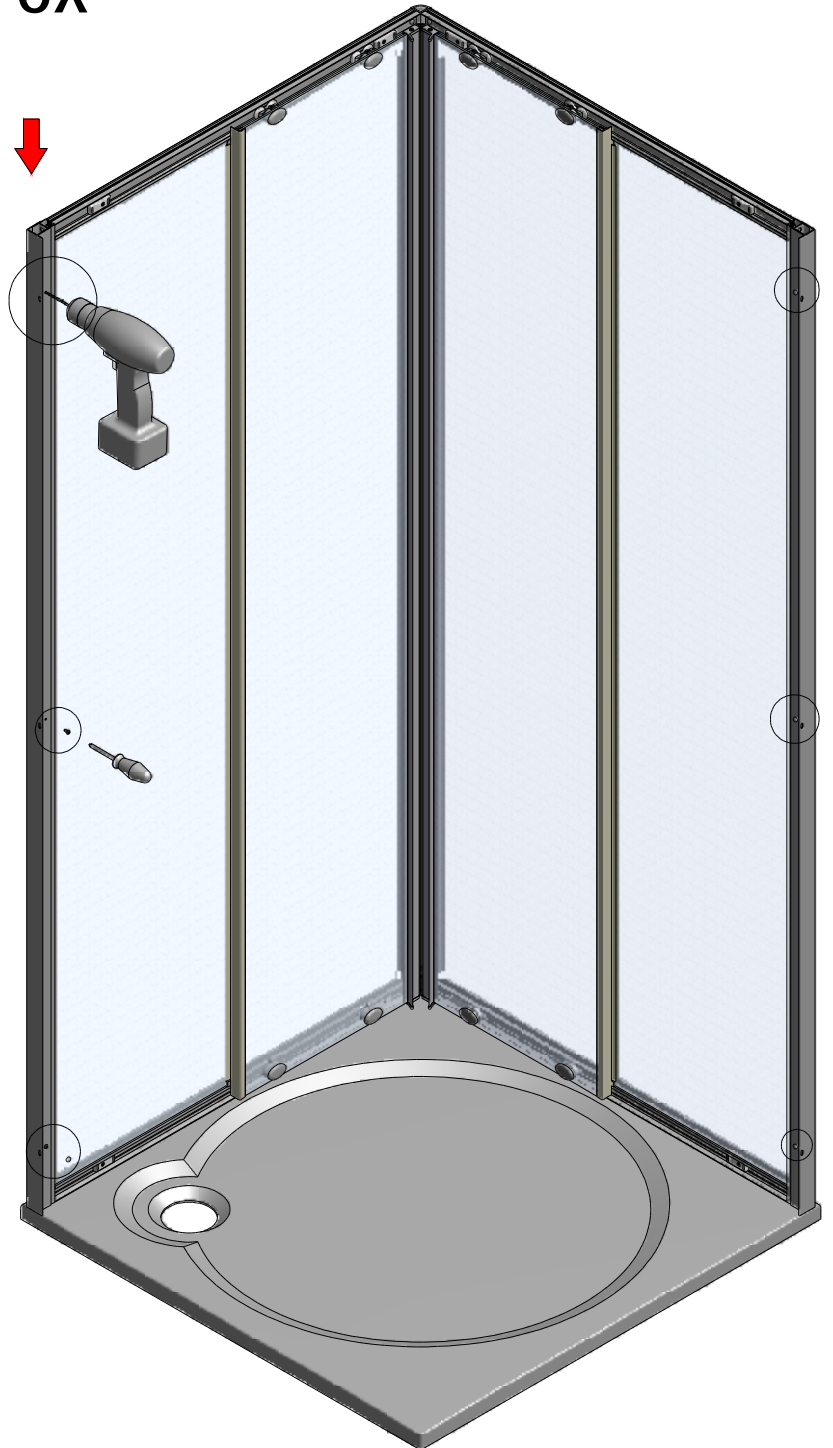
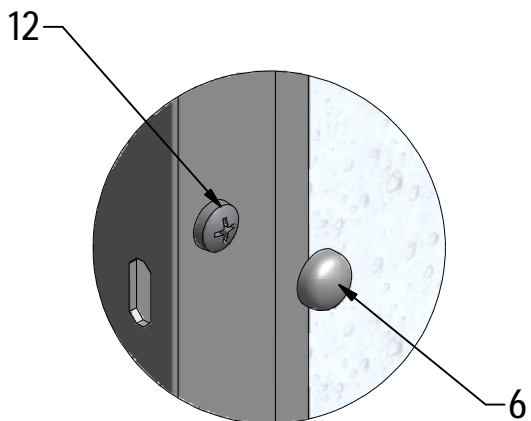
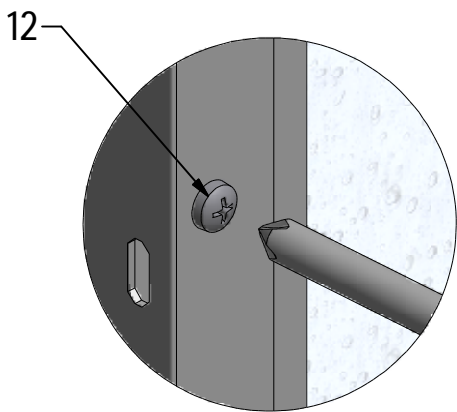


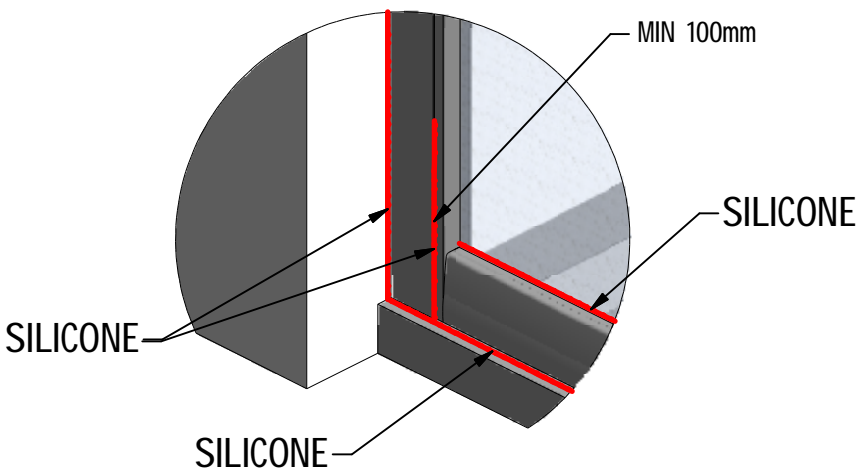
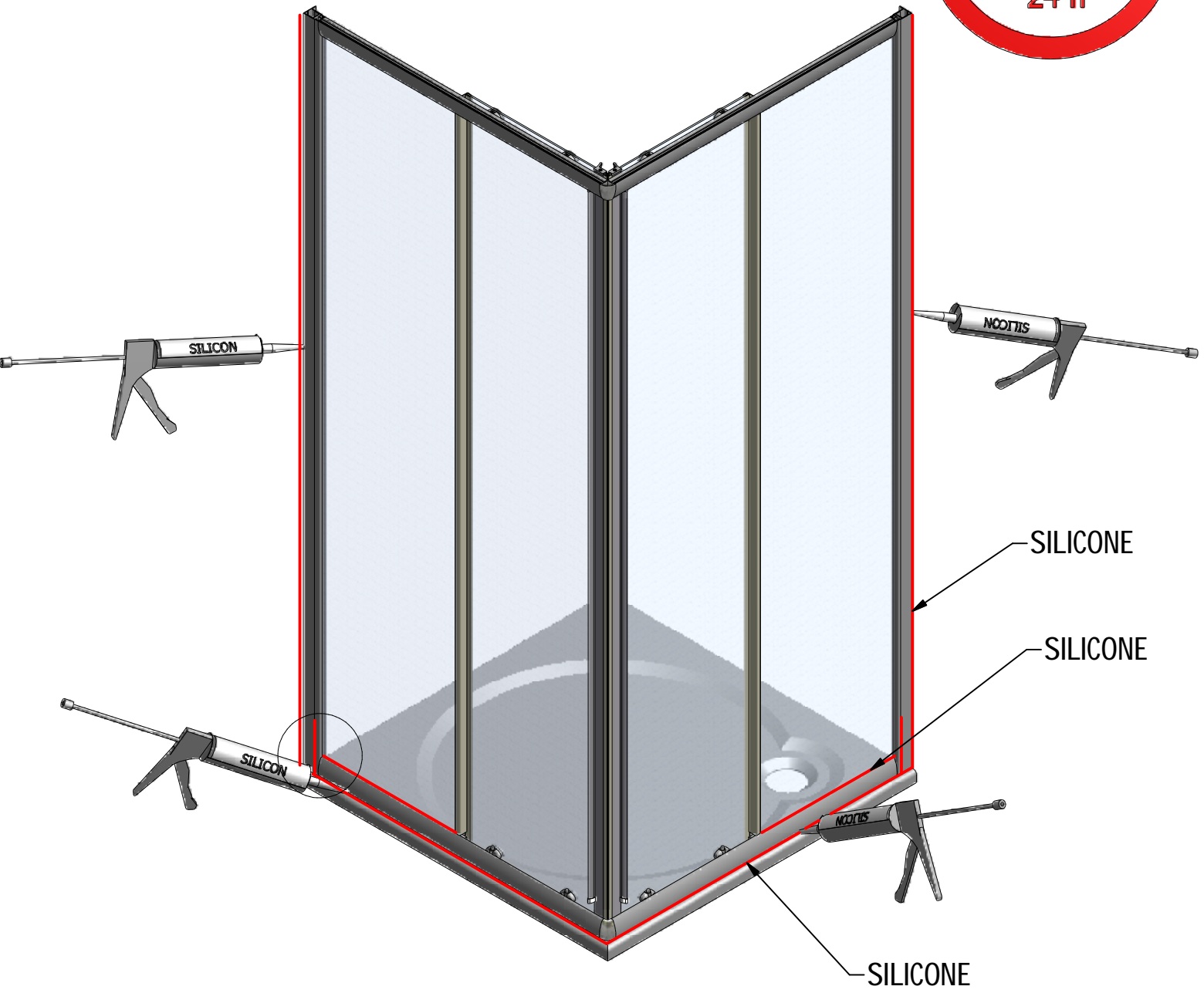
Q 4x



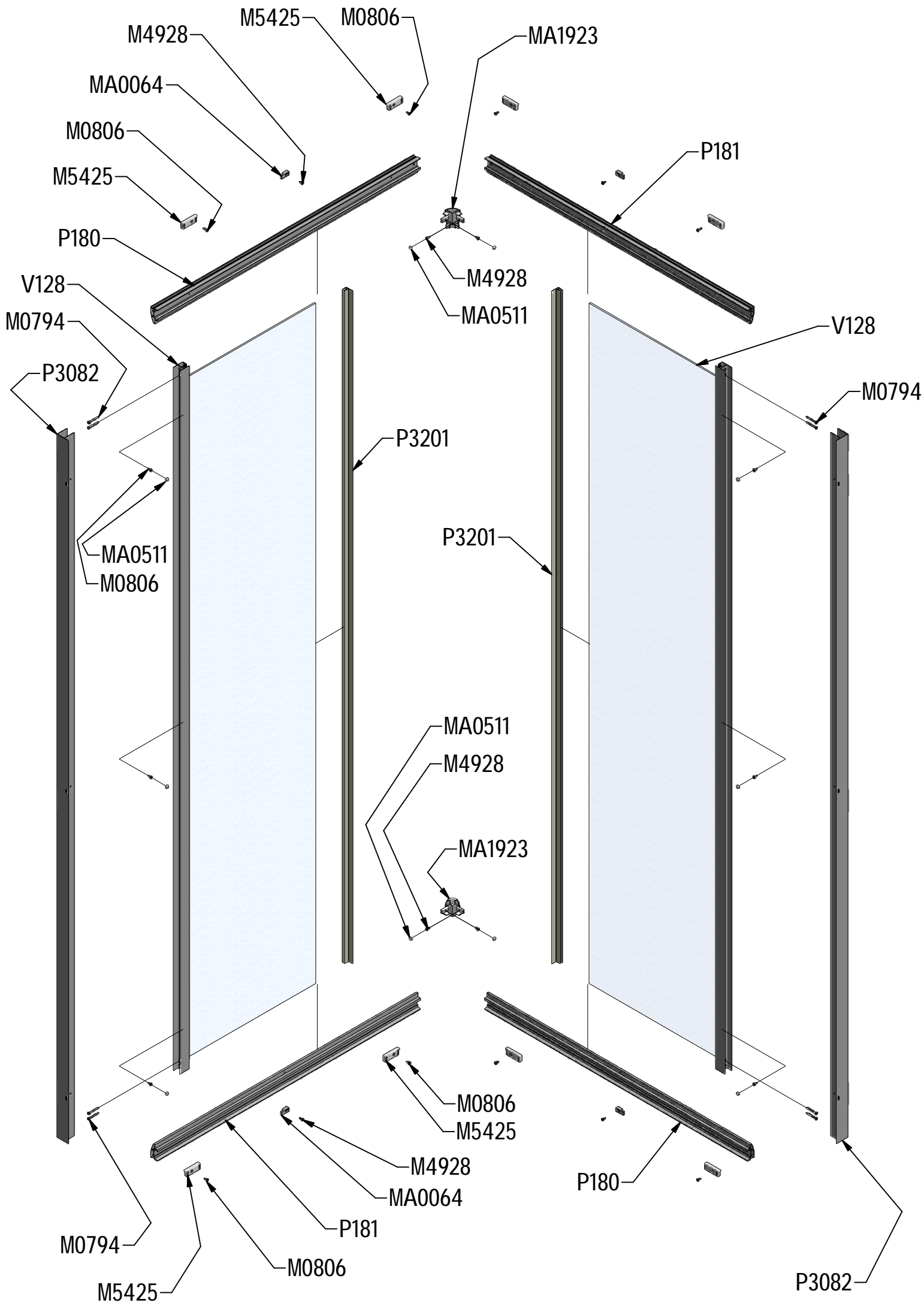


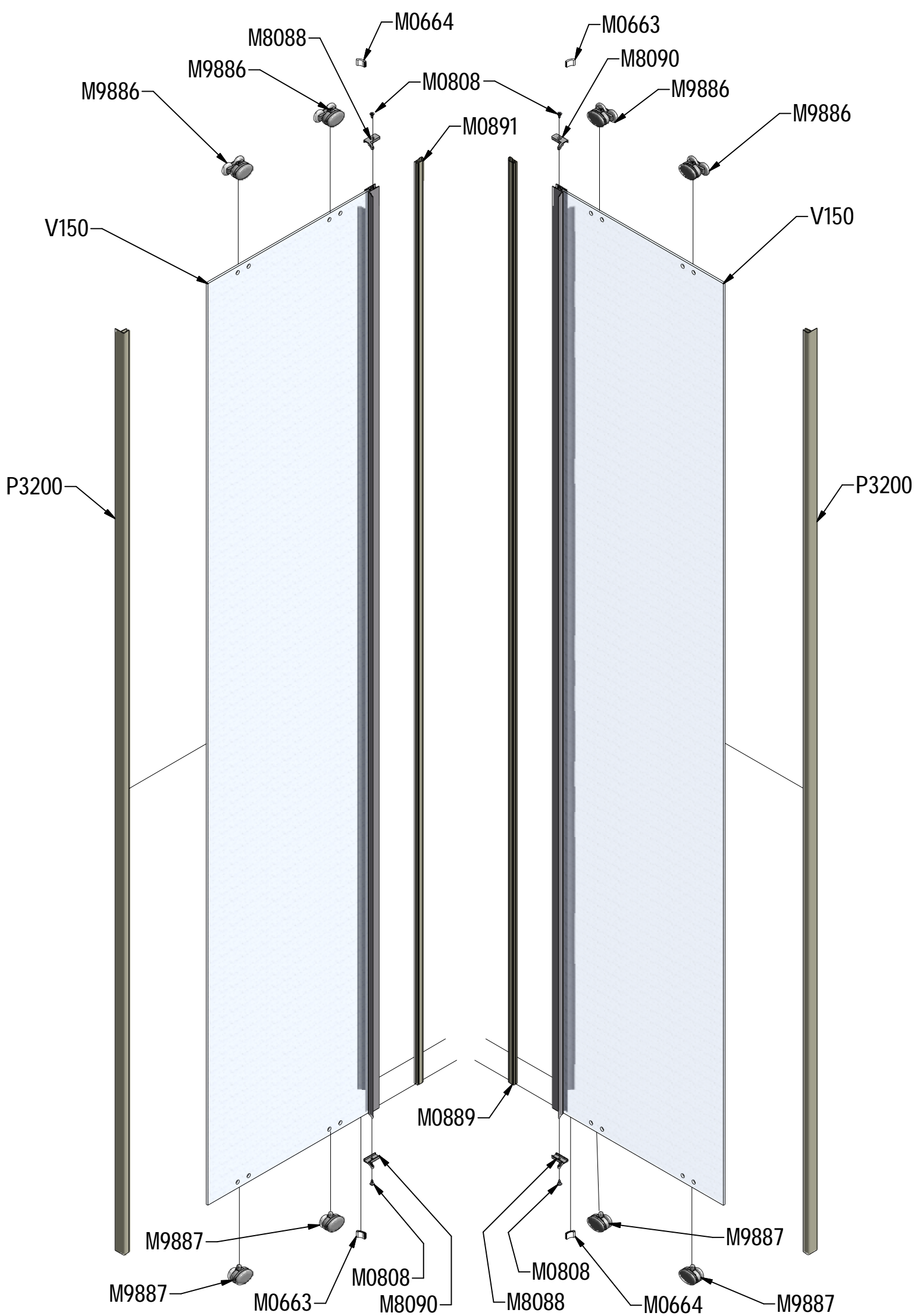
R 6x





S





P180	700	blanc	P3440
	800		P3342
	900		P3444

P181	700	blanc	P3441
	800		P3343
	900		P3445

V128	700	blanc+clear glass	ND03-0580-04-02
	800		ND03-0524-04-02
	900		ND03-0525-04-02

V150	700	blanc+clear glass	ND02-0694-04-02
	800;900		ND02-0693-04-02

